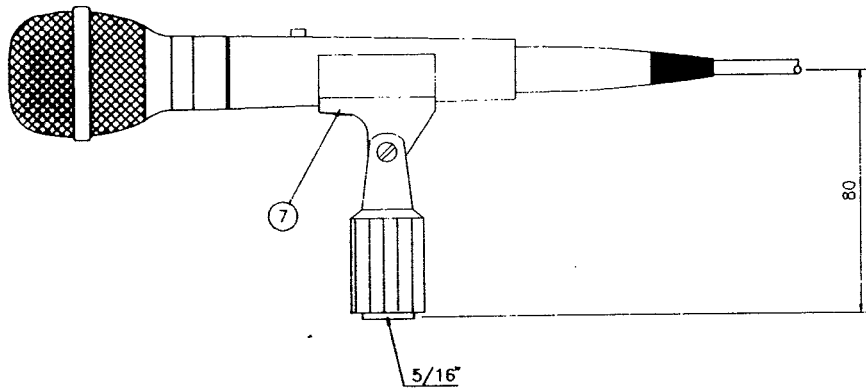
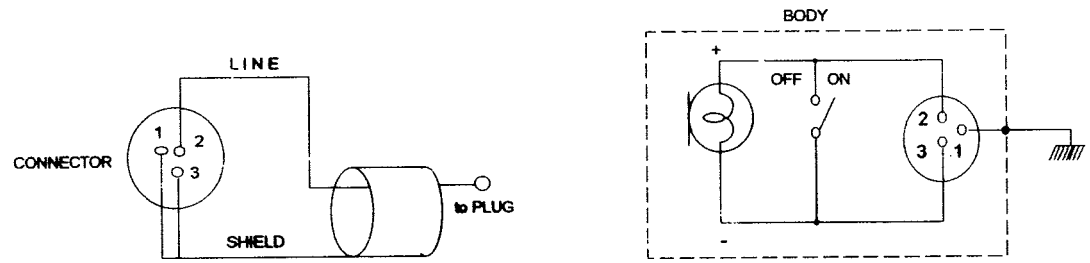


1. WIND SCREEN
2. MICROPHONE SWITCH
3. MICROPHONE BODY
4. CONNECTOR XLR - 3 TYPE
5. MICROPHONE CORD
6. SINGLE POLE PHONE PLUG
7. MICROPHONE HOLDER



CIRCUIT DIAGRAM



* CORD PLUG DIAGRAM

* MIC UNIT DIAGRAM

SPECIFICATIONS

Model	ZM-320
Type	Moving coil microphone
Directivity	Unidirectional
Rated Impedance	600Ω, balanced
Frequency Response	100 - 12,000 Hz
Rated Sensitivity	-76dB ±3dB (at 1 KHz)
Connection Cable	Separate type (Refer to "Standard Accessory")
Mated Connector	XLR - 3 type
Switch	Short-Off circuit type, Slide switch
Mounting	W 5/16" 18 thread adaptor for stand mounting
Dimension	∅ 52 x 183 mm
Weight	304 grams ±10%
Color	Metallic Dark Grey
Standard Accessory	Microphone holder (W 5/16"18 thread) Connection cable : ∅ 5 mm x 7.5 m 1-core shielded cable (unbalanced) 3P XLR type connector to phone plug

All dimensions are in millimeters