

■DESCRIPTION

The TS-800 is a Central unit of the Infrared Conference system. Since the system is cordless, it can be easily installed and removed based on a free layout.

Connecting the TS-800 to the Transmitter/Receiver units permits control of the conference units. It features control function from a PC (The control software is not attached.), and installation confirmation function that confirms the connection status for the Transmitter/Receiver units and installation status for the conference units.

With the use of an optional rack mounting bracket, it can be mounted in an EIA Standard equipment rack (4 unit size).

■SPECIFICATIONS

* 0 dB = 1 V

Power Source	100 – 240 V AC, 50/60 Hz (use of the supplied AC adapter)
Power Consumption	72 W
Current Consumption	Max. 3 A DC (when 24 V DC is supplied from the accessory AC adapter)
Carrier Frequency	Reception: Audio channel 1: 7.35 MHz Audio channel 2: 8.10 MHz Audio channel 3: 8.55 MHz Audio channel 4: 9.15 MHz Control channel: 6.45 MHz Transmission: Audio channel: 1.95 MHz
Input	MIC: -60 dB*, 600 Ω, unbalanced, ø6.3 mm phone jack (2P) AUX: -20 dB*, 10 kΩ, unbalanced, ø6.3 mm phone jack (2P)
Output	REC: -20 dB*, 10 kΩ, unbalanced, ø6.3 mm phone jack (2P), RCA pin jack HEADPHONE: ø3.5 mm mini Jack (3P:monaural)
Number of Connectable Chairman/Delegate Units	64 units
Number of Connectable Infrared Transmitter/Receiver Units	Up to 4 units (with the use of distributor, up to 16 units connectable when they are all TS-905, and up to 12 units when they are all TS-907, or TS-905 and TS-907 are used in combination)
Infrared Transmitter/Receiver I/O Terminal	4 BNC jacks
External Control Terminal	D-sub connector (9 P, male)
LED Indicator	Audio signal receiving indicators 1 – 4 CH, Data signal receiving indicator, External control priority indicator, External control communication indicator, Power indicator, Battery indicator (flashes when a Chairman/Delegate unit's battery nears complete discharge), Short-circuit indicator
Function Switch	Simultaneous speaker No. setting switch: 1/2/4 Mic-off setting switch: TIME OUT ON/OFF Speech priority selector switch: A/B/C (A: First-in-first-out priority, B: Last-in-first-out priority, C: Fixed for the first unit, and last-in-first-out for the subsequent units)
Operating Temperature	0 °C to +40 °C (32 °F to 104 °F)
Operating Humidity	90 %RH or less (no condensation)
Finish	Panel: Surface-treated steel plate, gray metallic, paint, semi-gloss
Weight	2.7 kg (5.95 lb)
Accessory	AC adapter (Cord length: 1.8 m (5.91 ft) DC cord, and 2 m (6.56 ft) detachable AC cord)·1
Option	Rack mounting bracket: MB-TS900

■ APPEARANCE

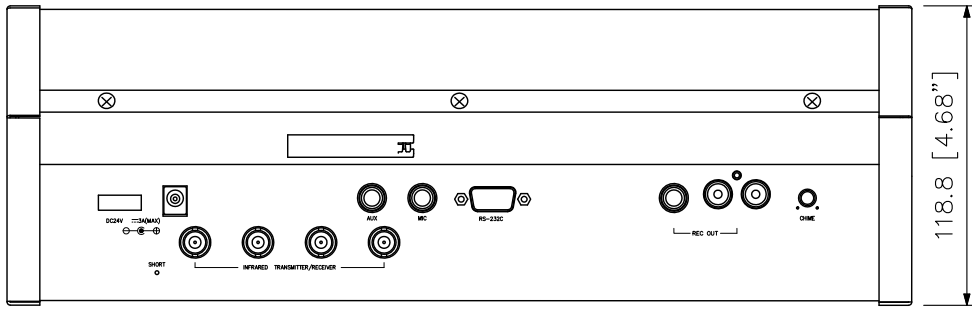


Figure as viewed from point A

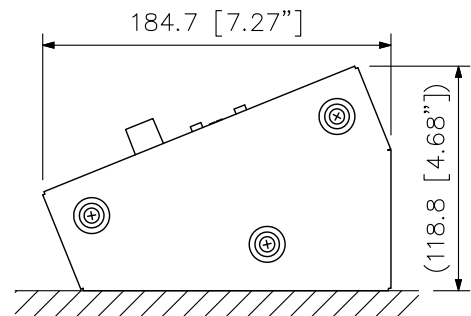
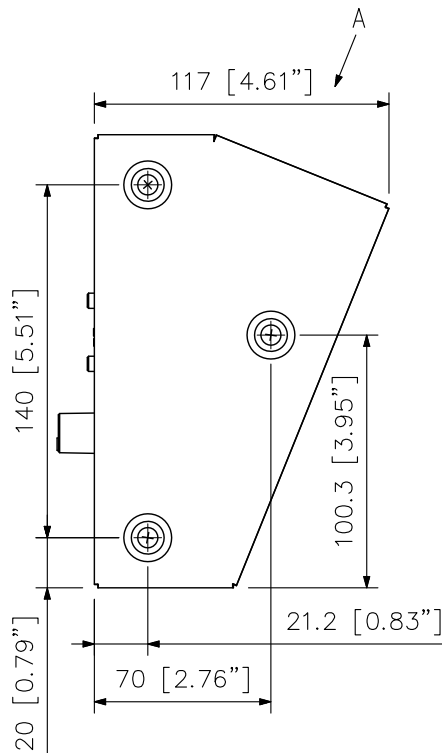
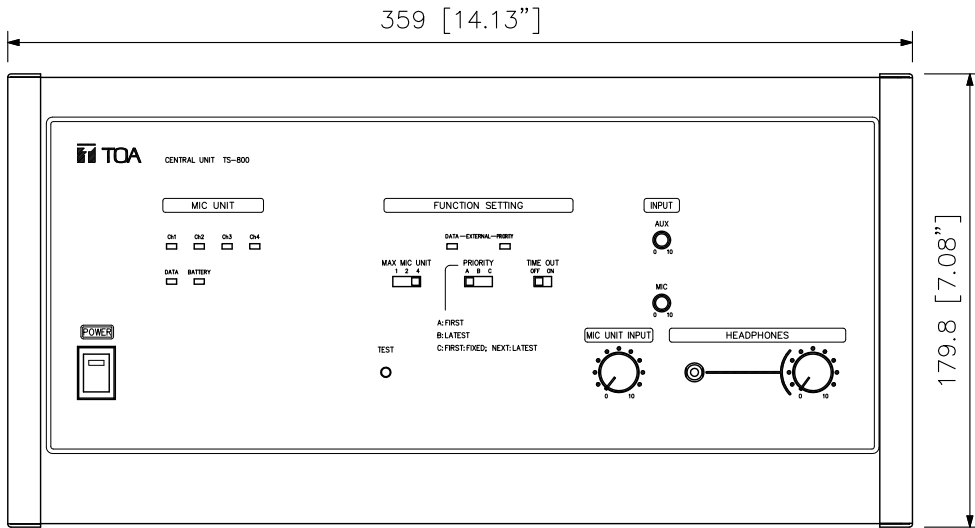


Figure of the unit installed (scale: 1/4)

UNIT:mm SCALE:1/3

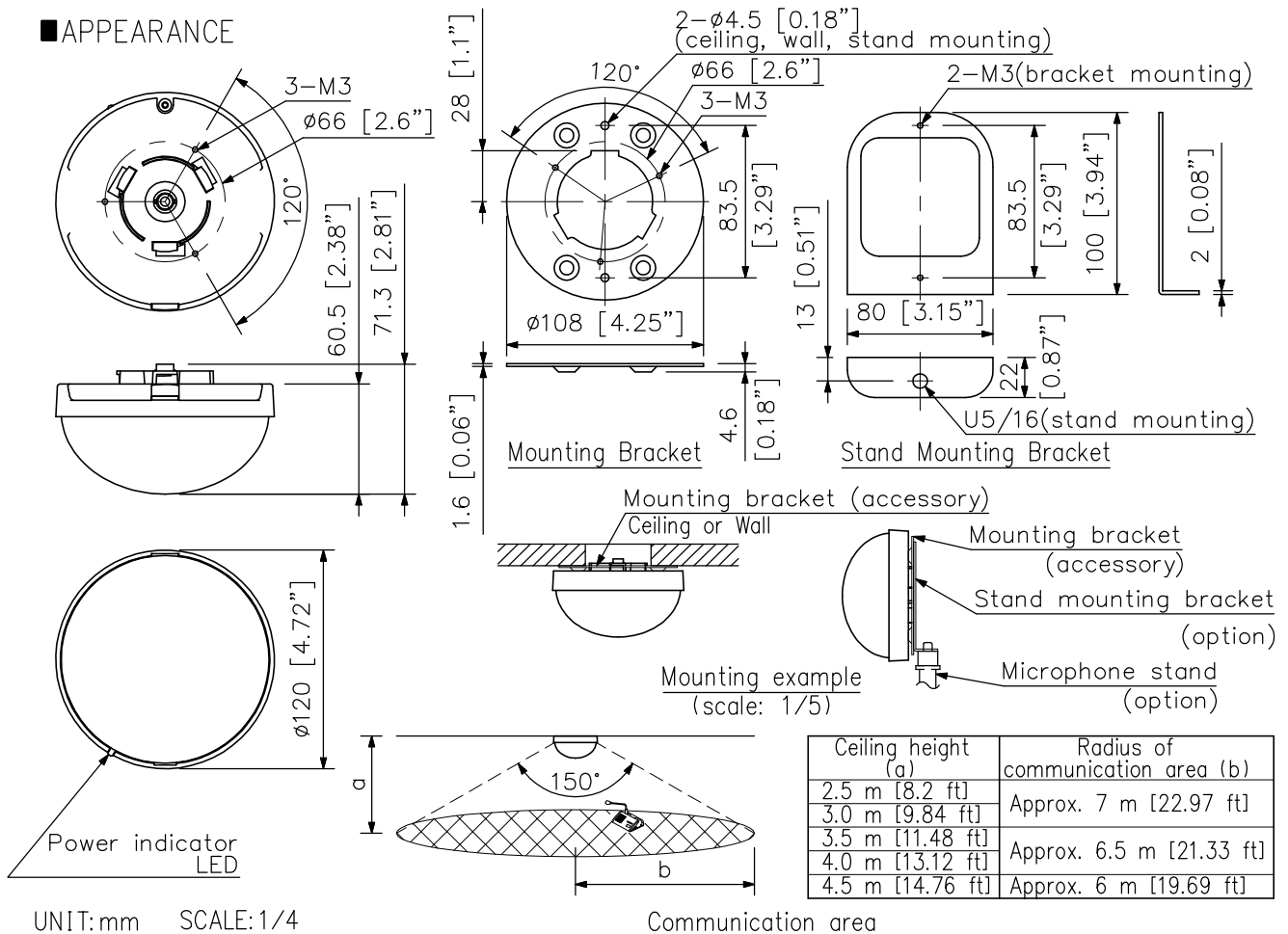
DESCRIPTION

The TS-905 is an Infrared Transmitter/Receiver of the Infrared Conference system. Since the system is cordless, it can be easily installed and removed. Communications between the TS-905 and conference units are performed by means of infrared signals and the TS-905 permits transmit and receive with the Central unit. It can be mounted not only to the ceiling and wall but on the microphone stand.

SPECIFICATIONS

Power Source	24 V DC (supplied from the Central unit)
Current Consumption	Max. 150 mA
Infrared Emitter/Detector	
Wavelength	870 nm (AM: Brightness modulation)
Modulation Method	Frequency modulation
Carrier Frequency	Transmission: Audio channel 1: 7.35 MHz Audio channel 2: 8.10 MHz Audio channel 3: 8.55 MHz Audio channel 4: 9.15 MHz Control channel: 6.45 MHz Reception: Base language channel: 1.95 MHz Translation language channel: 2.25 MHz
Acceptance Angle	Vertical: 150° (75° + 75°), Horizontal: 360°
Emission Angle	Vertical: 150° (75° + 75°), Horizontal: 360°
Communication Area	Approx. 6 – 7 m (19.69 – 22.97 ft) in radius from the point underneath the unit (Ceiling height: 2.5 – 4.5 m (8.2 – 14.76 ft))
Connection Terminal	BNC jack
LED Indicator	Power
Operating Temperature	0 °C to +40 °C (32 °F to 104 °F)
Operating Humidity	90 %RH or less (no condensation)
Finish	Dome: PC resin, visible light cut filter Base: ABS resin, black
Dimensions	∅120 × 71.3 (H) mm (4.72" × 2.81")
Weight	230 g (0.51 lb) (unit only)
Accessory	Mounting bracket...1, Stand mounting bracket...1, Stand mounting bracket attaching screw...3
Option	Microphone stand (The mounting thread size must be U5/16.)

APPEARANCE



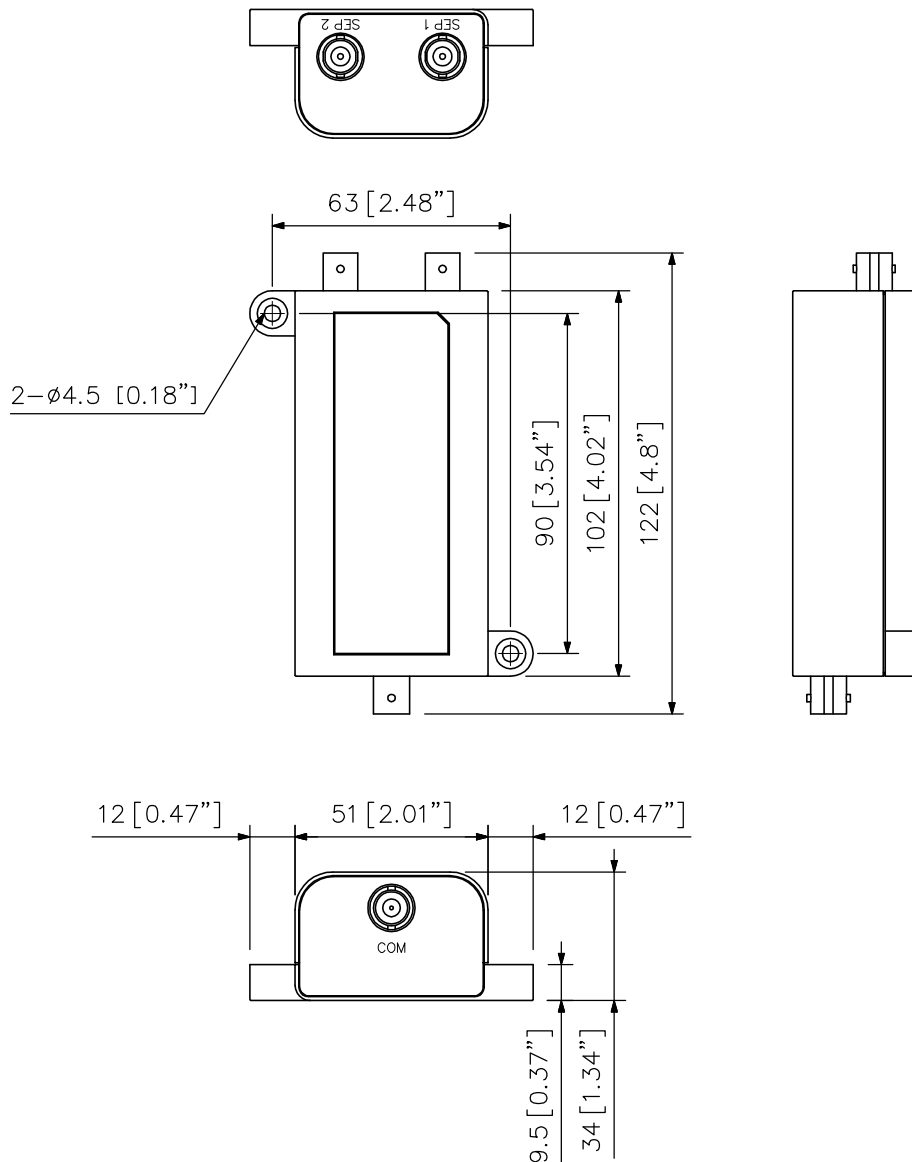
DESCRIPTION

The YW-1022 is a distributor that can work in the frequency range of 1.6 to 1000 MHz (except 50 to 70 MHz). Power passing type permits easy power supply.

SPECIFICATIONS

Frequency Range	1.6 – 1000 MHz (excluding 50 – 70 MHz)
Distribution Loss	4.5 dB ±3 dB (between the Mixing and each Distribution terminals)
Input/Output Impedance	75 Ω
Coaxial Connector	Mixing terminal: BNC jack, power passing type (30 V DC or less, 2 A or less) Distribution 1 and 2 terminals: BNC jack, power passing type (30 V DC or less, 1 A or less)
Operating Temperature	-10 °C to +50 °C (14 °F to 122 °F)
Operating Humidity	90 %RH or less (no condensation)
Finish	ABS resin, gray
Dimensions	75 (W) × 122 (H) × 34 (D) mm (2.95" × 4.8" × 1.34")
Weight	105 g (0.23 lb)
Accessory	Unit fixing wood screw (4.1 × 25) ...2

APPEARANCE



UNIT:mm SCALE:1/2