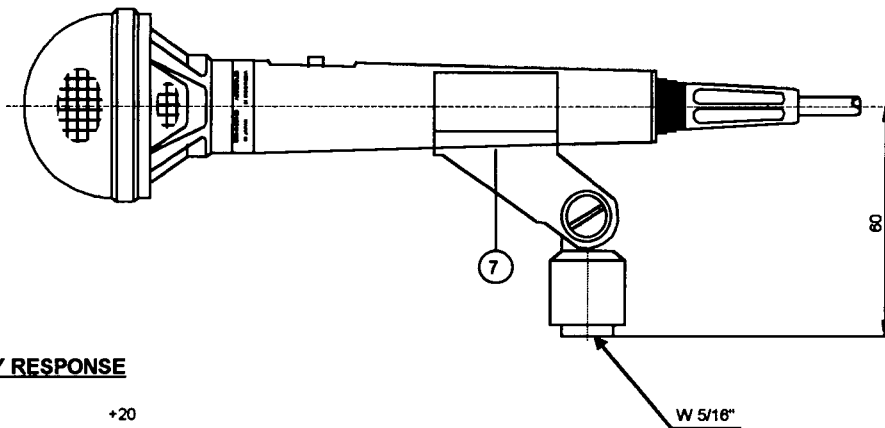
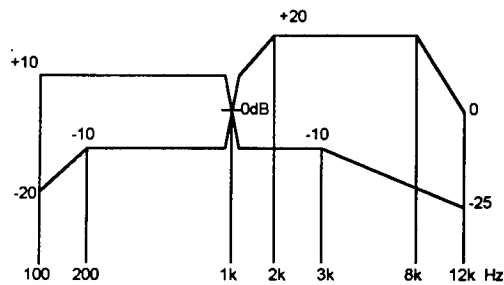


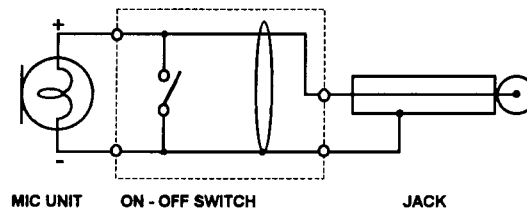
1. WIND SCREEN
2. MICROPHONE SWITCH
3. MICROPHONE BODY
4. CORD BUSHING
5. MICROPHONE CORD
6. SINGLE POLE PHONE PLUG
7. MICROPHONE HOLDER



**FREQUENCY RESPONSE**



**CIRCUIT DIAGRAM**



**SPECIFICATION**

Model	ZM-260	
Type	Unidirectional Dynamic Microphone	
Output Impedance at 1 kHz	600Ω, Unbalanced ±30%	
Frequency range	100 - 12,000 Hz	
Output level at 1 kHz (0dB = 1V / 1μBar)	-75dB (0.18mV0 ±3dB)	
Cables	Type	Shielded cable with single pole phone plug
	Length	7.5M
Switch	Short - Off type	
Mounting	W 5/16" 18 thread swivel adaptor for stand mounting	
Dimension	∅55 x 178 mm	
Weight	420 grams ± 10%	
Color	Black	
Accessory	Microphone holder (W 5/16" 18 thread)	

All dimension are in millimeters

TITLE :  
DYNAMIC MICROPHONE

MODEL :  
ZM-260

PT TOA-GALVA INDUSTRIES

APP'D BY :

DWG. NO :  
506499015