

DESCRIPTION

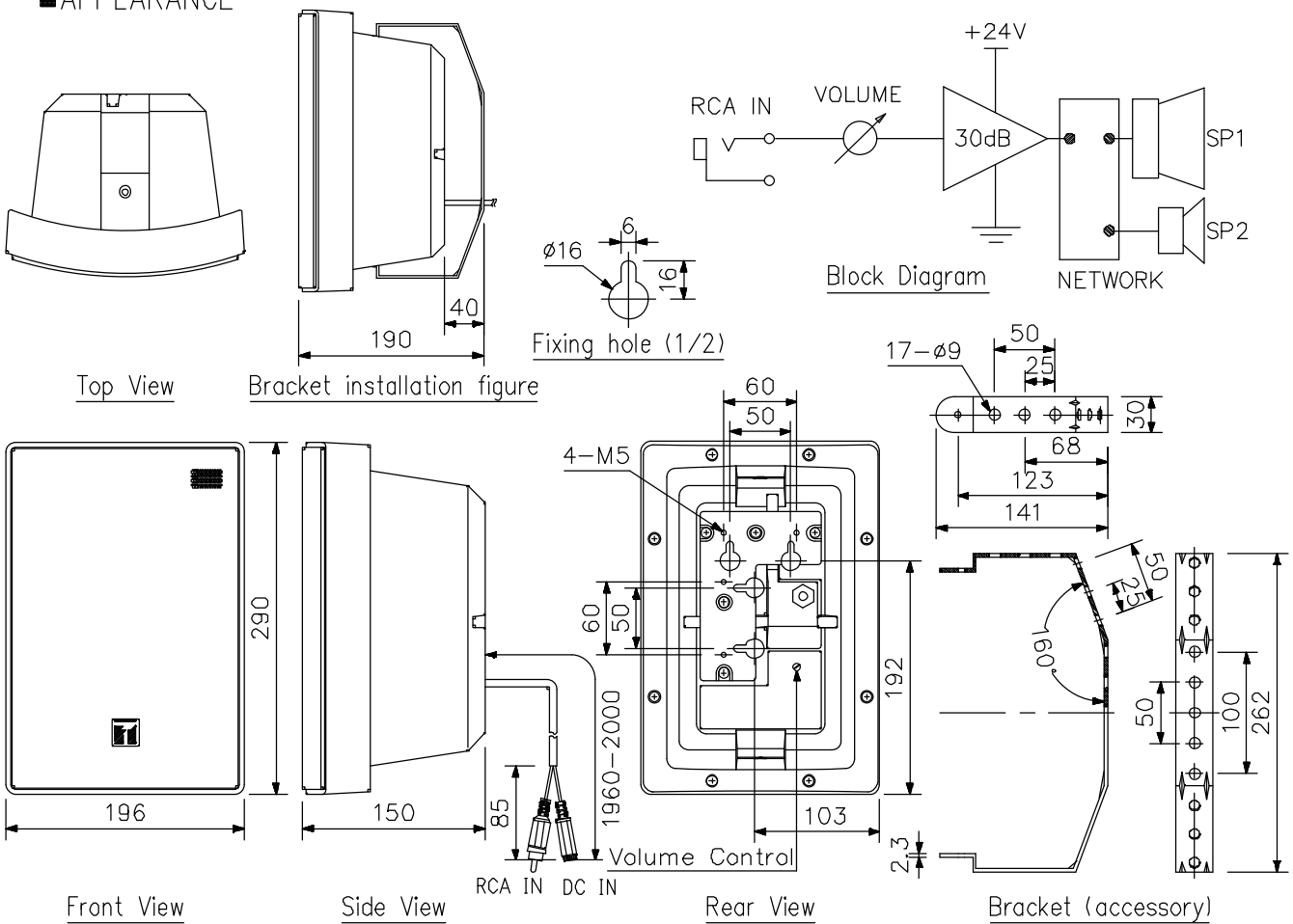
The ZS-P1030W-AS is 2-way bass-reflex speaker with a built-in 30W digital power amplifier, suitable for use for announcements and music playback. The speaker's splash-proof construction permits it to be installed under the eaves where the speaker is not directly exposed to rain.

SPECIFICATIONS

|                       |   |
|-----------------------|---|
| Enclosure             | 2-way bass-reflex type  |
| Power Source          | 24V DC, 1.5A ( DC Socket "+" Type A : 5.5 x 2.1mm )   |
| Power Consumption     | 24W (1A) at Rated output  |
| Input                 | 5kΩ, Unbalanced (RCA plug)<br>Maximum input : +6dBV (2Vrms)   |
| Signal Gain           | +30 dB  |
| Volume Adjustment     | Volume control (Factory pre-set to middle position)   |
| Sound Pressure Level  | 90 dB (1 W, 1 m)  |
| Frequency Response    | 80 Hz - 20 kHz  |
| Speaker Component     | 12 cm cone-type + dome-type   |
| Speaker Cord          | Length: 2m Flying Lead (RCA plug) & DC socket ("+" )  |
| Operating Temperature | -10 °C to +50 °C  |
| Water Protection      | IPX4 (can be installed vertically or horizontally.**)   |
| Finish                | Enclosure: ABS resin, white (RAL9010 PURE WHITE), paint<br>Net: Surface treated steel plate, white (RAL9010 PURE WHITE), powder coating<br>Bracket: Surface treated steel plate, white equivalent to RAL9010 PURE WHITE, powder coating |
| Dimensions            | 196 (W) X 290 (H) X 150 (D) mm (unit only)  |
| Weight                | Approx. 2.5 kg (unit only)  |
| Accessories           | Bracket...1, Bracket mounting screw...2, Bracket mounting washer...2  |
| Option                | AC/DC Adaptor : Z-AD2430-AS<br>Applicable bracket: WCB-13W, SP-410<br>Applicable stand: ST-16A  |

\*\* Install with the front facing downward. Note that the splash-proof capability will be lost if installed face-up. The logo mark needs to be located in the lower section the speaker is installed vertically, and on the right side of the speaker (as viewed from the front) when installed horizontally.

APPEARANCE



UNIT:mm SCALE:1/6