

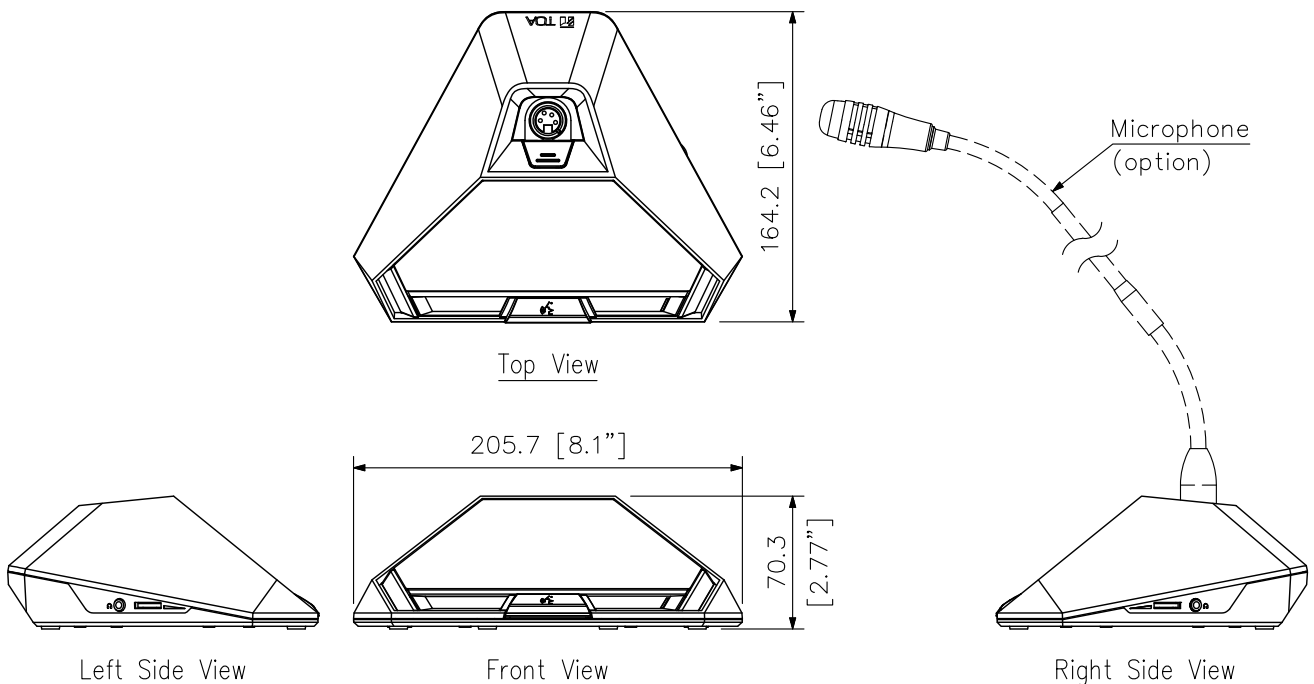
DESCRIPTION

The TS-822 is a Delegate unit of the Infrared Conference system. Since the system is cordless, it can be easily installed and removed. It can be operated on either the AD-0910 AC adapter or the BP-920, BP-900A lithium-ion battery. It is equipped with a remaining battery indicator. Two types of dedicated microphones are made available for the TS-822 as optional products: the TS-923, TS-903 standard type and the TS-924, TS-904 long type.

SPECIFICATIONS

|                           |   |
|---------------------------|---|
| Power Source              | Supplied from optional lithium-ion battery or AC adapter  |
| Current Consumption       | Max. 390 mA   |
| Infrared Emitter/Detector |   |
| Wavelength                | 870 nm (AM: Brightness modulation)  |
| Modulation Method         | Frequency modulation  |
| Carrier Frequency         | Transmission: Audio channel 1: 7.35 MHz<br>Audio channel 2: 8.10 MHz<br>Audio channel 3: 8.55 MHz<br>Audio channel 4: 9.15 MHz<br>Control channel: 6.45 MHz<br>Reception: Audio channel: 1.95 MHz |
| Covering Range            | 7 m (22.97 ft) (radius)   |
| Input                     | Microphone terminal: XLR-4-31 type  |
| Output                    | Monitor speaker: 8 Ω, 0.2 W<br>Headphone: ø3.5 mm mini Jack (3P: monaural) × 2  |
| LED Indicator             | Speech indicator, Power indicator   |
| Function                  | Monitor volume control, Headphone volume control  |
| Battery Life              | Approx. 10 hours (when the fully-charged BP-920 or BP-900A battery is used with "During speech" to "Standby" ratio of 1:2)  |
| Operating Temperature     | 0 °C to +40 °C (32 °F to 104 °F)  |
| Operating Humidity        | 90 %RH or less (no condensation)  |
| Finish                    | Case: PC resin, black<br>Speaker net: Steel plate, black, mat finish, paint   |
| Dimensions                | 205.7 (W) × 70.3 (H) × 164.2 (D) mm (8.1" × 2.77" × 6.46")  |
| Weight                    | 525 g (1.16 lb)   |
| Option                    | Microphone: TS-923, TS-903, TS-924, TS-904 (Select either one.)<br>Lithium-ion battery: BP-920, BP-900A<br>AC adapter: AD-0910  |

APPEARANCE



UNIT:mm SCALE:1/4