

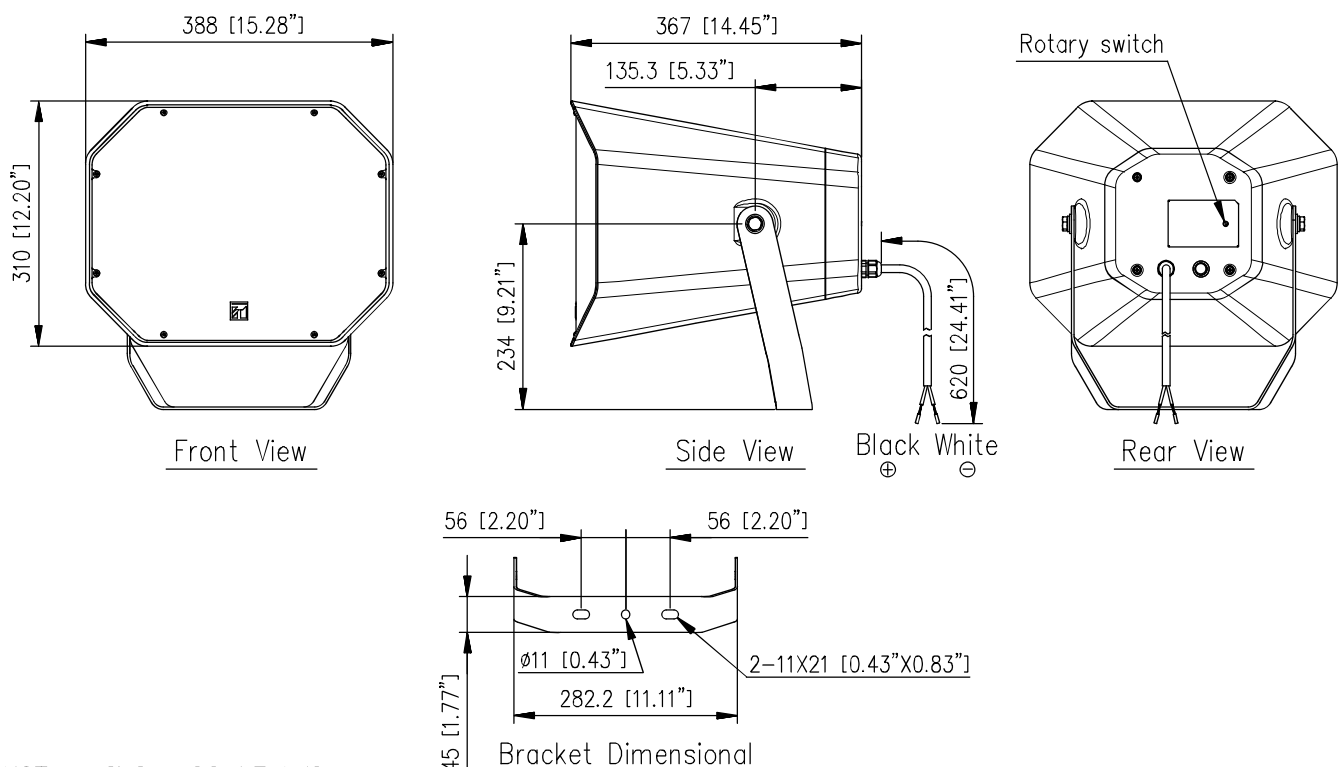
DESCRIPTION

The ZS-760W-AS as compact two-way speaker system design for high efficiency, high power input handling capability, and high intelligible speaker suited for public address announcement and BGM application at fully outdoor. External speaker component finished to ensure the unit's weatherproof capability. This model employs the rotary switch that facilitates impedance change.

SPECIFICATIONS

Rated Input	60 W (high impedance)
Rated Impedance	100 V line: 170 Ω (60 W), 330 Ω (30 W), 670 Ω (15 W), 1.3 kΩ (7.5 W) 70 V line: 83 Ω (60 W), 170 Ω (30 W), 330 Ω (15 W), 670 Ω (7.5 W)
Sensitivity	100 dB (1 W, 1 m)
Maximum Sound Pressure Level	117 dB (60 W, 1 m)
Frequency Response	100 Hz – 20 kHz
Crossover Frequency	2.5 kHz
Directivity Angle	Horizontal: 90°, Vertical: 80°
Speaker Component	Low frequency : 16 cm (6") cone type High frequency : 25 mm [1"] dome tweeter
Dust/Water Protection	IP66
Operating Temperature	-10 °C to +50 °C (14 °F to 122 °F)
Connection	Speaker cord (Hot: Black, Com: White)
Finish	Enclosure: ABS, White, Paint Coating Punched net: Surface-treated steel plate, White, Paint Coating Bracket: Stainless steel, White, Powder Coating
Dimension	388 (W) X 310 (H) X 367 (D) mm (15.28" X 12.20" X 14.45")
Weight	7.4 kg (16.31 lb)
Option	Pole mounting bracket: SP-131 Speaker mounting bracket: SP-201 Pole band: YS-60B Speaker stand: ST-34B

Note : Do not install the speaker face-up from a horizontal plane. This speaker must be aimed horizontally or down to keep the weather resistant capability continuous.

APPEARANCE


UNIT:mm[in] SCALE:1/2