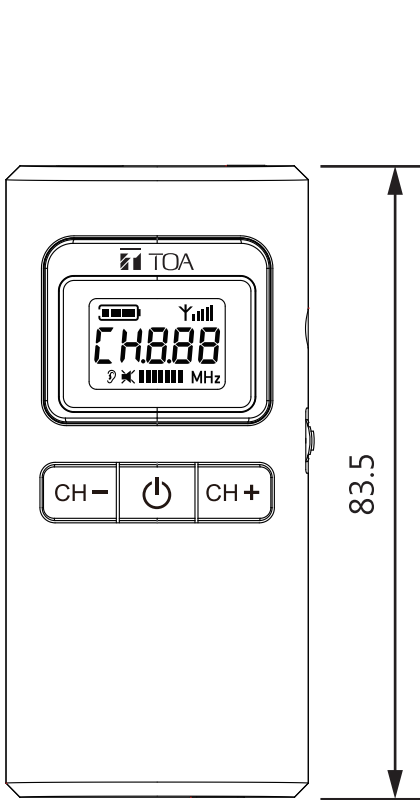


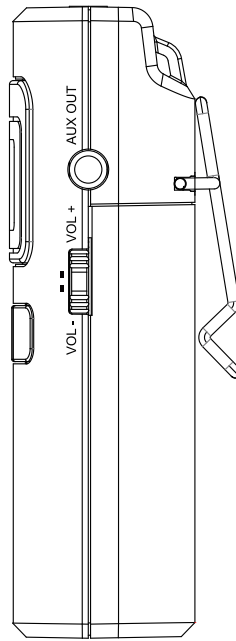
■ SPECIFICATIONS

Model number	WG-D100R-EB WD4D00	WG-D100R-AS WM1D00	WG-D100R-AS WC4D01
Frequency	863-865MHz	510-530MHz	748.3-757.7 803.3-805.7MHz
Modulation	GFSK		
Audio sampling	8KHz 16bit		
Latency	22ms		
Frequency response	65Hz-3.8kHz		
Dynamic range	> 80 dB		
Signal to Noise	> 70 dB		
THD at 1KHz	< 1.5%		
Service coverage	Indoor: 100m / Outdoor: >150m		
Operating temperature	-10 ~ 50°C		
Receiver sensitivity	-88 dBm		
3.5mm phone jack	Earphone output x 1 (32Ω) / Aux out x 1 (0Ω)		
Front + & - buttons	Channel selector		
Power button	Power on / off + : Volume up		
Side Momentary 3way tact switch	Center push : Corresponding frequency		
	- : Volume down		
Battery	Ni-MH type "AA" 1.2V x 1 / Alkaline "AA" 1.5V x 1		
Battery life (approx.) w/ 2600mAh battery	14 hr		
Charging source	The data has been measured using 1x AA NiMH 2600mAh rechargeable battery. DC 5V Micro USB		
Charging time	Depends on battery type and capacity		
Charging current	255 ± 10 mA		
LCD display	Channel, Battery indicator, Volume, Signal Strength		
Antenna	Headphone		
Regulatory compliance	CE FCC		
Dimension	40(W) × 24.6(D) × 83.5(H)mm , Antenna length not included		
Weight	38.6 g (batteries not included)		
Color	Black frame		
Accessories			
Ear phone : EP-01	O	O	O
Belt clip : BC-01	O	O	O
Lanyard(Red) : LY-01R	O	O	O
Ni-MH rechargeable battery : RB2600	O	X	X
Universal USB adapter : MUA-11	X	O	O
USB cable : USBY-01	X	O	O

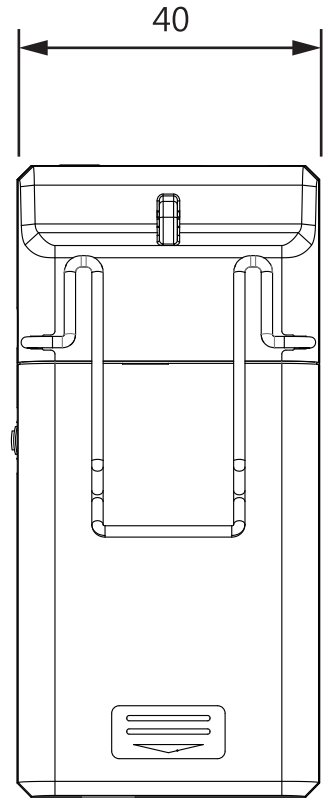
■ APPEARANCE



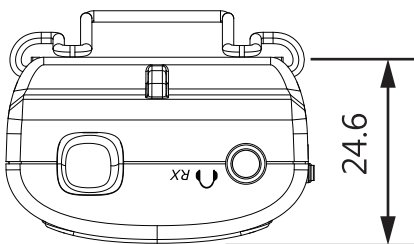
Front view



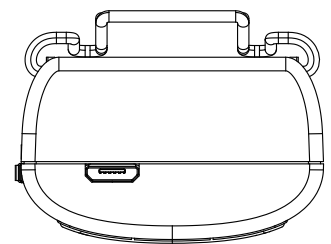
Side view



Rear view



Top view



Bottom view

UNIT: mm SCALE: 1/1