

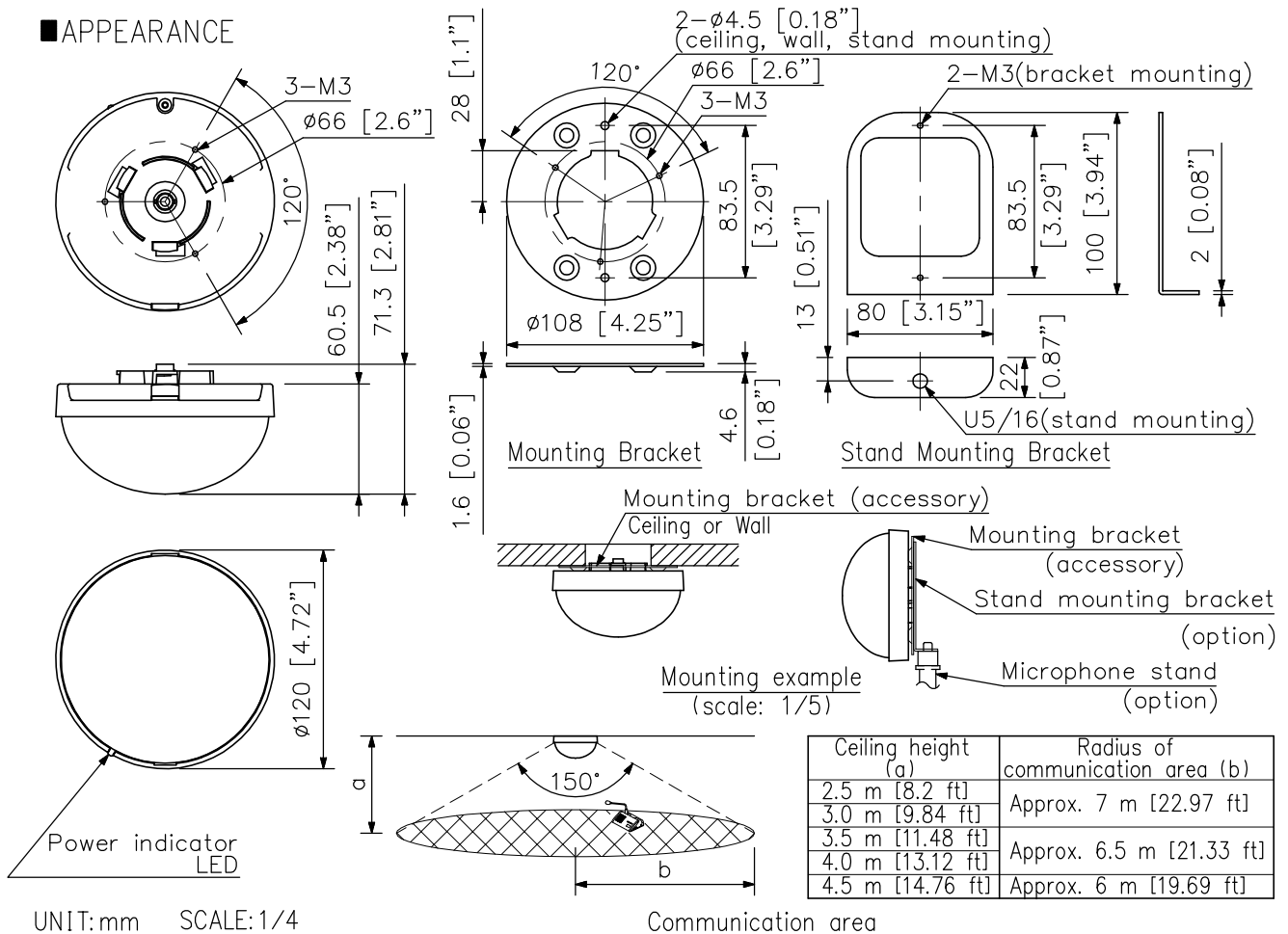
DESCRIPTION

The TS-905 is an Infrared Transmitter/Receiver of the Infrared Conference system. Since the system is cordless, it can be easily installed and removed. Communications between the TS-905 and conference units are performed by means of infrared signals and the TS-905 permits transmit and receive with the Central unit. It can be mounted not only to the ceiling and wall but on the microphone stand.

SPECIFICATIONS

| | |
|---------------------------|---|
| Power Source | 24 V DC (supplied from the Central unit) |
| Current Consumption | Max. 150 mA |
| Infrared Emitter/Detector | |
| Wavelength | 870 nm (AM: Brightness modulation) |
| Modulation Method | Frequency modulation |
| Carrier Frequency | Transmission: Audio channel 1: 7.35 MHz Audio channel 2: 8.10 MHz Audio channel 3: 8.55 MHz Audio channel 4: 9.15 MHz Control channel: 6.45 MHz Reception: Base language channel: 1.95 MHz Translation language channel: 2.25 MHz |
| Acceptance Angle | Vertical: 150° (75° + 75°), Horizontal: 360° |
| Emission Angle | Vertical: 150° (75° + 75°), Horizontal: 360° |
| Communication Area | Approx. 6 – 7 m (19.69 – 22.97 ft) in radius from the point underneath the unit (Ceiling height: 2.5 – 4.5 m (8.2 – 14.76 ft)) |
| Connection Terminal | BNC jack |
| LED Indicator | Power |
| Operating Temperature | 0 °C to +40 °C (32 °F to 104 °F) |
| Operating Humidity | 90 %RH or less (no condensation) |
| Finish | Dome: PC resin, visible light cut filter Base: ABS resin, black |
| Dimensions | ø120 × 71.3 (H) mm (4.72" × 2.81") |
| Weight | 230 g (0.51 lb) (unit only) |
| Accessory | Mounting bracket...1, Stand mounting bracket...1, Stand mounting bracket attaching screw...3 |
| Option | Microphone stand (The mounting thread size must be U5/16.) |

APPEARANCE



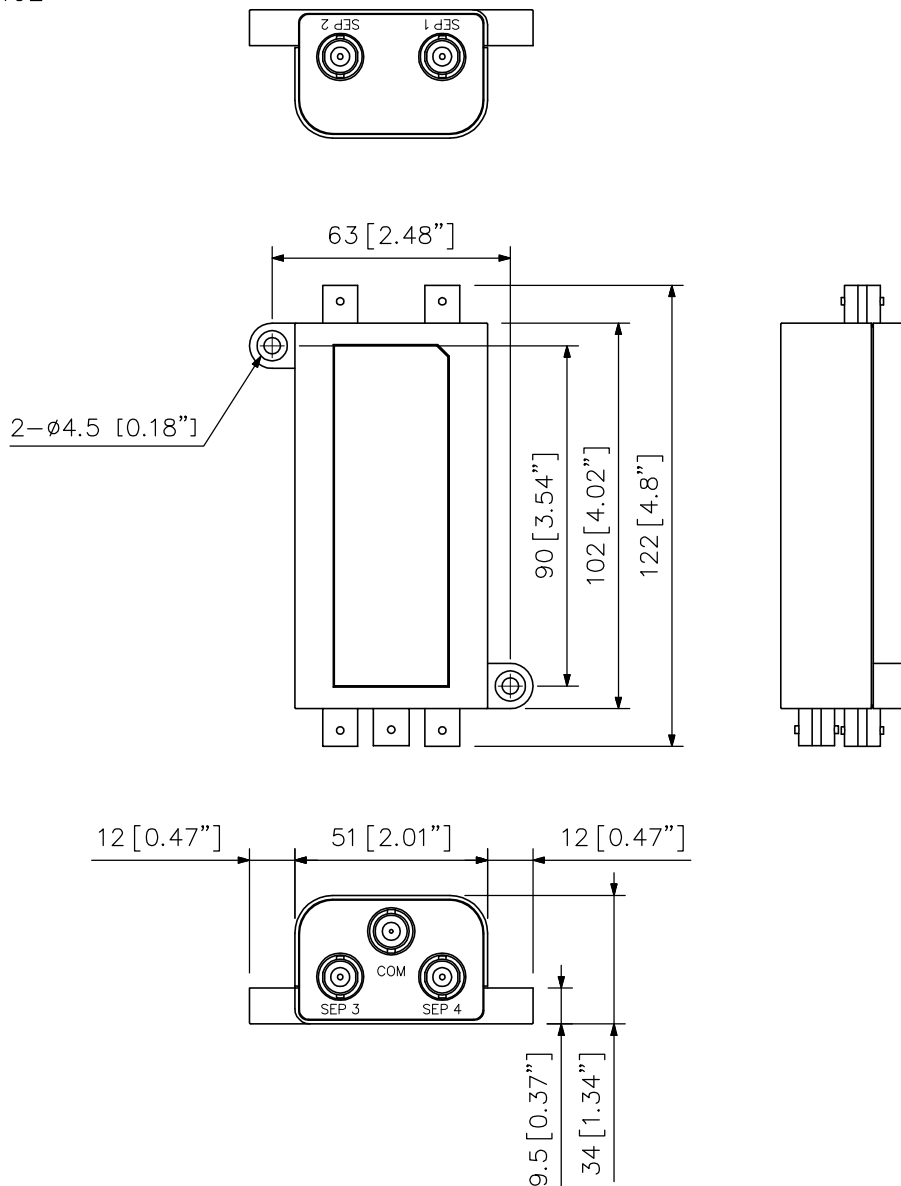
DESCRIPTION

The YW-1024 is a distributor that can work in the frequency range of 1.6 to 1000 MHz (except 50 to 70 MHz). Power passing type permits easy power supply.

SPECIFICATIONS

| | |
|------------------------|--|
| Frequency Range | 1.6 – 1000 MHz (excluding 50 – 70 MHz) |
| Distribution Loss | 8.5 dB \pm 3 dB (between the Mixing and each Distribution terminals) |
| Input/Output Impedance | 75 Ω |
| Coaxial Connector | Mixing terminal: BNC jack, power passing type (30 V DC or less, 2 A or less) Distribution 1 – 4 terminals: BNC jack, power passing type (30 V DC or less, 1 A or less) |
| Operating Temperature | -10 °C to +50 °C (14 °F to 122 °F) |
| Operating Humidity | 90 %RH or less (no condensation) |
| Finish | ABS resin, gray |
| Dimensions | 75 (W) \times 122 (H) \times 34 (D) mm (2.95" \times 4.8" \times 1.34") |
| Weight | 120 g (0.26 lb) |
| Accessory | Unit fixing wood screw (4.1 \times 25) \times 2 |

APPEARANCE



UNIT: mm SCALE: 1/2