

DESCRIPTION

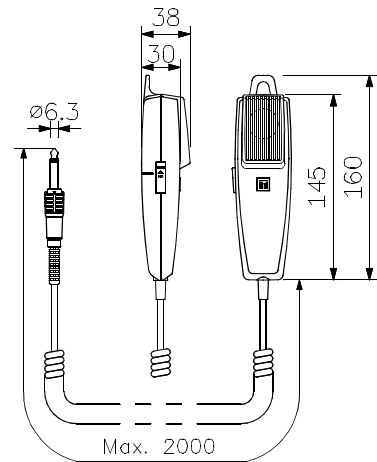
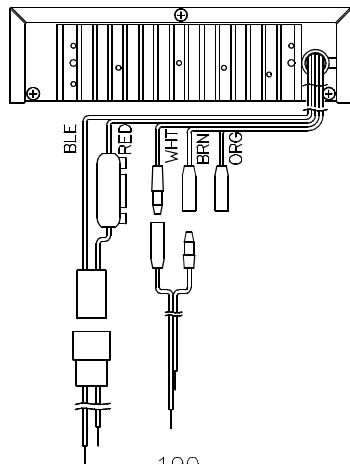
The ZA-250S is a 1-DIN size unit 25 W car amplifier with siren designed for use with a 12V battery car, including siren signal.

SPECIFICATIONS

Power Source	Standard voltage: 14 V DC Usable voltage: 10 - 16 V DC (12 V battery used)
Power Consumption	4.1 A or less at rated output
Rated Output	25 W
Output Impedance	4 Ω (BRN), 8 Ω (ORG), Common (WHT) Changeable by changing lead wire connections
Distortion	Less than 5 % (at 1,000 Hz rated output)
Frequency Response	100 Hz - 10,000 Hz
Signal Sound	Siren (switch activated and controllable volume)
Input	Mic : 600 Ω, 4 mV, phone jack Aux: 10 kΩ, 400 mV, phone jack
Finish	Front panel: ABS resin, black Case: Zinc plated steel sheet
Dimensions	178 (W) × 50 (H) × 144 (D) mm (Mounting device excluded)
Weight	1.1 kg
Accessory	Microphone holder 1, Mounting bracket 1, Mounting screw 1set, Fuse (8 A) 1, Connection cord 1set
Accessory Microphone	Unidirectional dynamic type with talk switch Impedance: 600 Ω Sensitivity : -73 dB (1 kHz, 0 dB = 1 V/Pa)

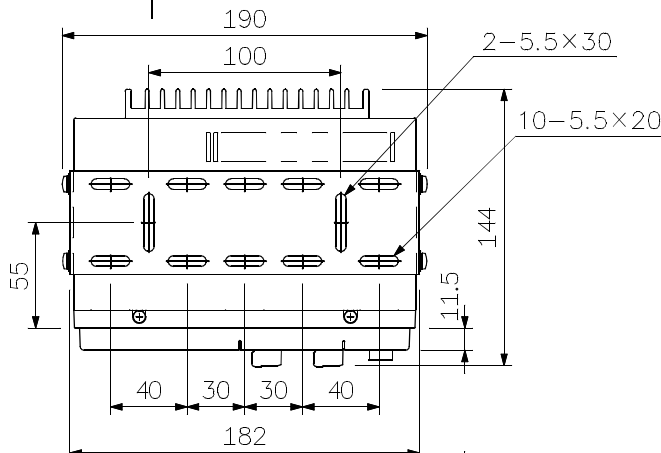
APPEARANCE

Rear View

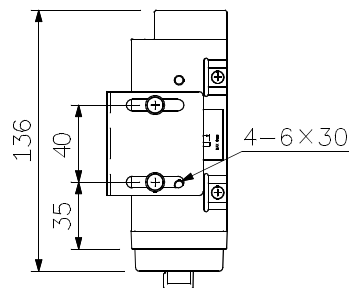
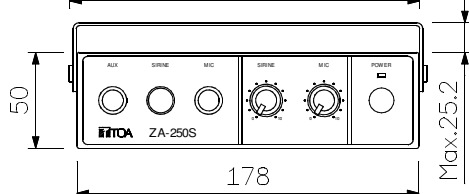


Accessory microphone (1/6)

Top View



Front View



Side View

UNIT:mm SCALE:1/4