

## DESCRIPTION

The TS-910 is a Central unit of the Integrated conference system designed for use with the Wired conference units. Connecting to the Expansion unit unit, the TS-910 can control the conference units.

Up to 192 Wired Conference units in total can be used per system.

The incorporated Feedback suppressor (FBS) function helps to effectively suppress acoustic feedback.

External control, voting result confirmation, and equipment installation confirmation can be performed on a PC.

Also, 2 channels of audio signal lines are provided for base language and translation language.

With the use of an optional rack mounting bracket, it can be mounted in an EIA Standard equipment rack (4 unit size).

## SPECIFICATIONS

\* 0 dB = 1 V

Power Source	100 - 240 V AC, 50/60 Hz (use of the supplied AC adapter)
Power Consumption	72 W
Current Consumption	Max. 3 A DC (when 24 V DC is supplied from the accessory AC adapter)
Carrier Frequency	Reception: Audio channel 1: 7.35 MHz Audio channel 2: 8.10 MHz Audio channel 3: 8.55 MHz Audio channel 4: 9.15 MHz Control channel: 6.45 MHz Transmission: Base language channel: 1.95 MHz Translation language channel: 2.25 MHz
Input	MIC 1 (Base Language): -60 dB*, 600 Ω, unbalanced, ø6.3 mm phone jack (2P) MIC 2 (Translation Language): -60 dB*, 600 Ω, unbalanced, ø6.3 mm phone jack (2P) AUX 1 (Base Language): -20 dB*, 10 kΩ, unbalanced, ø6.3 mm phone jack (2P) AUX 2 (Translation Language): -20 dB*, 10 kΩ, unbalanced, ø6.3 mm phone jack (2P) AUX 3 (Base and Translation Language): -20 dB*, 10 kΩ, unbalanced, ø6.3 mm phone jack (2P)
Output	LINE: -20 dB*, 10 kΩ, unbalanced, ø6.3 mm phone jack (2P) REC: -20 dB*, 10 kΩ, unbalanced, ø6.3 mm phone jack (2P), RCA pin jack HEADPHONES: ø3.5 mm mini jack (3P:monaural)
External Equalizer	Input: -20 dB*, 10 kΩ, unbalanced, RCA pin jack Output: -20 dB*, 10 kΩ, unbalanced, RCA pin jack
Number of Connectable Chairman/Delegate Units	192 units
Number of Connectable Expansion Unit	4 units (Up to 8 units connectable when using a distributor)
Expansion Unit I/O Terminal	BNC jack
LED Indicator	Voting result indicators 1 - 3 (7-segment LED, 3 digits), Power indicator, Audio signal receiving indicators 1 - 4 CH, Data signal receiving indicator, External control priority indicator, External control communication indicator, Battery indicator (Flashes in case of battery warning of Infrared Conference unit), Short-circuit indicator
External Control Connection Terminal	D-sub connector (9P, male)/USB-B selectable
Function Switch	Simultaneous speaker No. setting switch: 1/2/3/4 Mic-off setting switch: TIME OUT ON/OFF Speech priority selector switch: A/B/C (A: First-in-first-out priority, B: Last-in-first-out priority, C: Fixed for the first unit, and last-in-first-out for the subsequent units) FBS selector switch: External equalizer/OFF/FBS AUTO/FBS MANUAL
Operating Temperature	0 °C to +40 °C (32 °F to 104 °F)
Operating Humidity	90 %RH or less (no condensation)
Finish	Panel: Surface-treated steel plate, gray metallic, paint, semi-gloss
Weight	2.8 kg (6.17 lb)
Accessory	AC adapter (Cord length: 1.8 m (5.91 ft) DC cord, and 2 m (6.56 ft) detachable AC cord)---1
Option	Rack mounting bracket: MB-TS900

\* Not supplied with the TS-910(KR). For the usable power supply cord and AC adapter, contact your nearest TOA dealer.

■ APPEARANCE

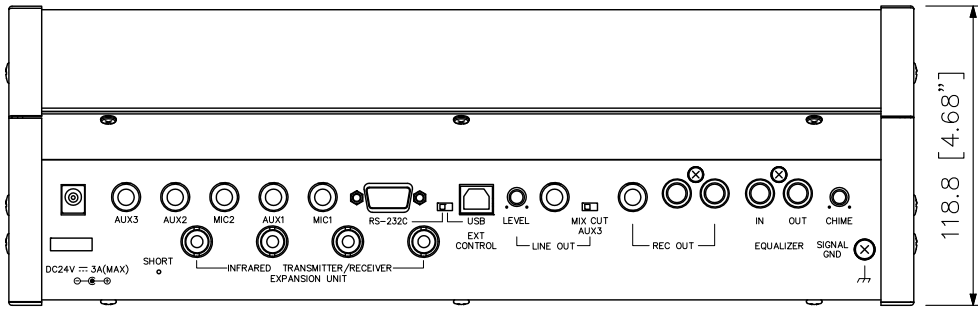


Figure as viewed from point A

359 [14.13"]

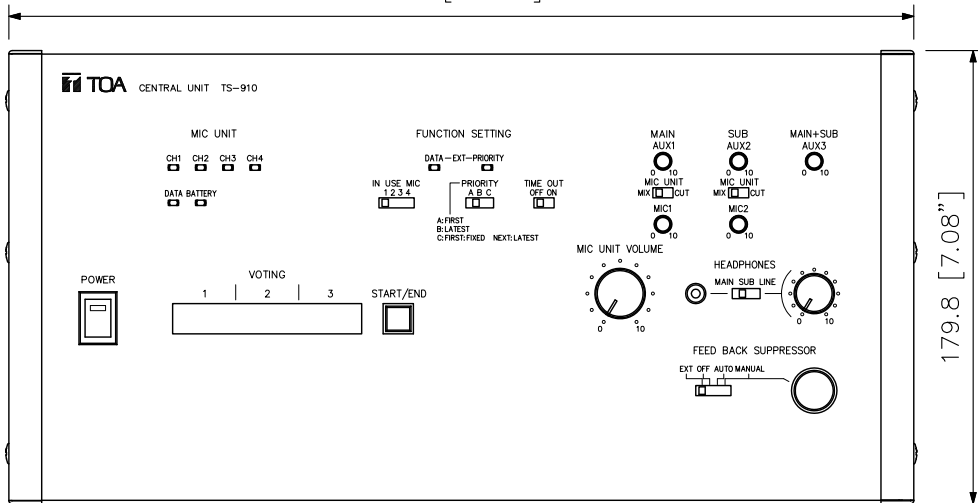


Figure as viewed from point B

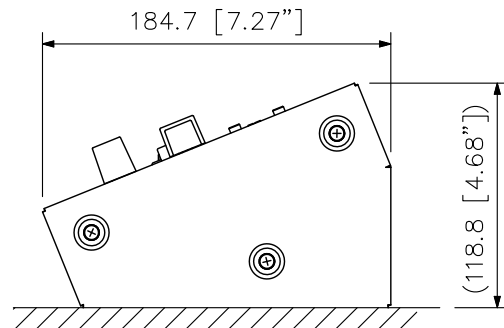
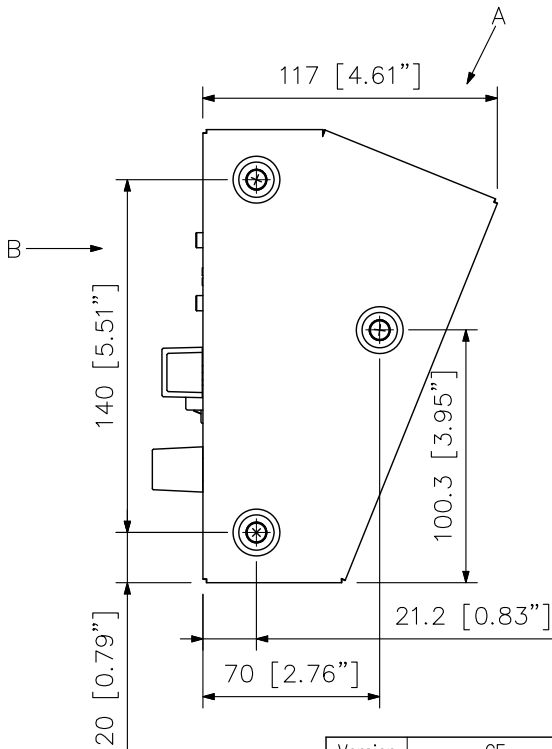


Figure of the unit installed  
(scale: 1/4)

UNIT: mm SCALE: 1/3

Version	CE	CE-AU	CE-GB	CN	US
AC plug					