

## DESCRIPTION

The VX-300LO is an audio output module designed for exclusive use with the VX-3000 Series. Built in the VX-3000 Frame, it outputs audio signals from the VX-3000 Frame to an external device. The front-mounted volume control permits a fine adjustment of the output level depending on the input sensitivity of the connected device.

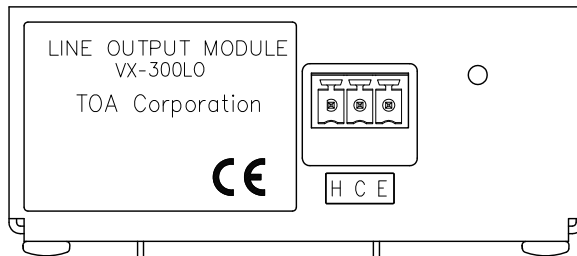
## SPECIFICATIONS

Power Source	Supplied from the VX-3000 Frame (DA CONTROL LINK)
Current Consumption (*1)	Max. 2 mA (Current through DC POWER IN)
Input	DA CONTROL LINK: Connector (15 pins)
Audio Output (*1)	1 channel Output signal level: 0 dB (*2) Adjustable range of the volume control: $-\infty$ to 0 dB Output method: 10 k $\Omega$ , transformer-balanced Applicable load impedance: 2 k $\Omega$ or more Frequency response: 40 Hz - 20 kHz $\pm$ 1 dB Distortion: 1% or less (0 dB (*2) output, 1 kHz) Signal to Noise Ratio: 60 dB or more Removable terminal block (3 pins)
Operating Temperature	0 °C to +40 °C (32 °F to 104 °F)
Operating Humidity	90 %RH or less (no condensation)
Finish	Surface-treated steel plate
Dimensions	76 (W) $\times$ 39 (H) $\times$ 33.2 (D) mm (2.99" $\times$ 1.54" $\times$ 1.31")
Weight	56 g (0.12 lb)
Accessory	DA CONTROL LINK Cable $\cdots$ 1, Removable terminal plug (3 pins) $\cdots$ 1, Mount base for cable binding $\cdots$ 2, Fixing screw $\cdots$ 1

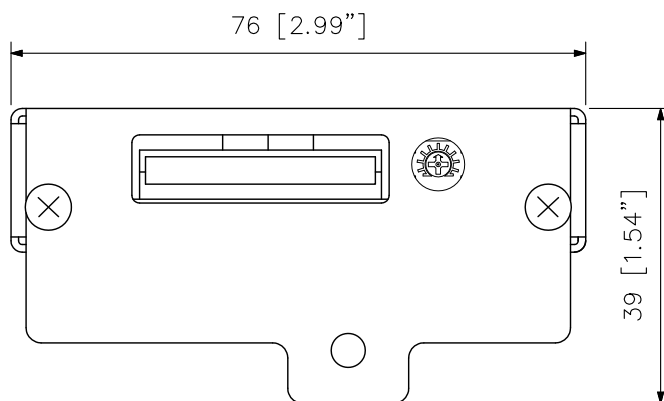
(\*1) When installed in the VX-3000 Frame.

(\*2) 0 dB = 1 V

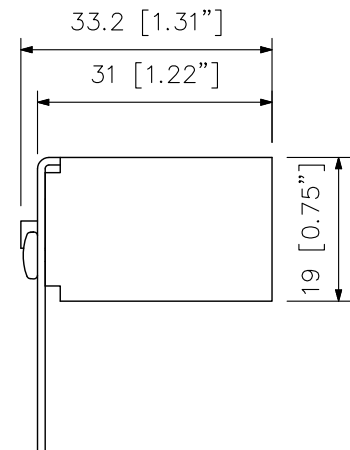
## APPEARANCE



Top View



Front View



Side View

UNIT: mm SCALE: 1/1