

### DESCRIPTION

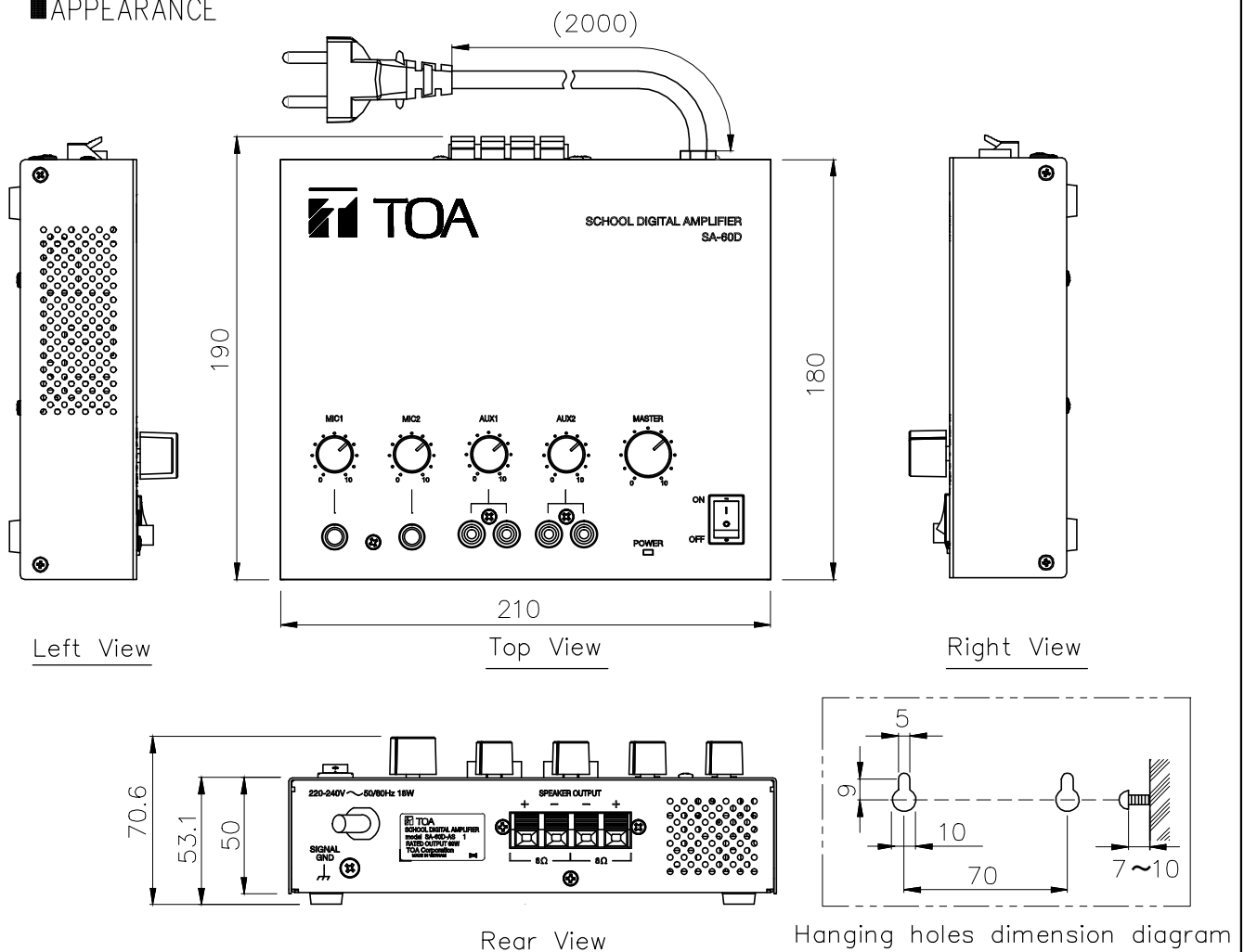
The SA-60D-AS 1 is a 60W Class-D amplifier suited for speech and background music used in classroom or training room in schools and offices. It is designed for both wall mount and desk-top installation.

### SPECIFICATIONS

\* 0 dB = 1 V

Power Source	220 - 240V AC 50/60 Hz
Rated Output	60 W
Power Consumption	100 W (rated output), 18 W (EN60065)
Frequency Response	20 - 20,000 Hz
Distortion	1% or less
Input	MIC1,2: -52 dB* , 600 Ω, unbalanced, ø6.3 phone jack (2P) AUX1,2: -20 dB * , 10 kΩ, unbalanced, RCA pin jack
Output	Speaker out: Low impedance (2 x 8 Ω or 1 x 4 Ω), Push-in terminal
S/N Ratio	MIC1,2: 60 dB or more AUX1,2: 70 dB or more
Protection	Power Supply Thermal Shut down Power Amplifier Thermal Shut down Power Amplifier Over Current Each protection will be restored automatically
Indicator	Power LED (Blue)
Operating Temperature	0 °C to +40 °C (32 °F to 104 °F)
Operating Humidity	90 %RH or less (no condensation)
Finish	Case: Steel plate, Off-white, paint Knob: ABS resin, black
Dimensions	210 (W) x 70.6 (H) x 180 (D) mm
Weight	1.6 kg
Accessories	Wall mounting pattern paper x 1

### APPEARANCE



UNIT: mm SCALE: 1/3