

**TOA****SPEAKER WALL MOUNTING BRACKET****HY-WM7B****DESCRIPTION**

The HY-WM7B Speaker Wall Mounting Bracket is intended for mounting the HX-7B Speaker System to the wall by using in combination with the optional HY-VM7B Speaker Rigging Bracket.

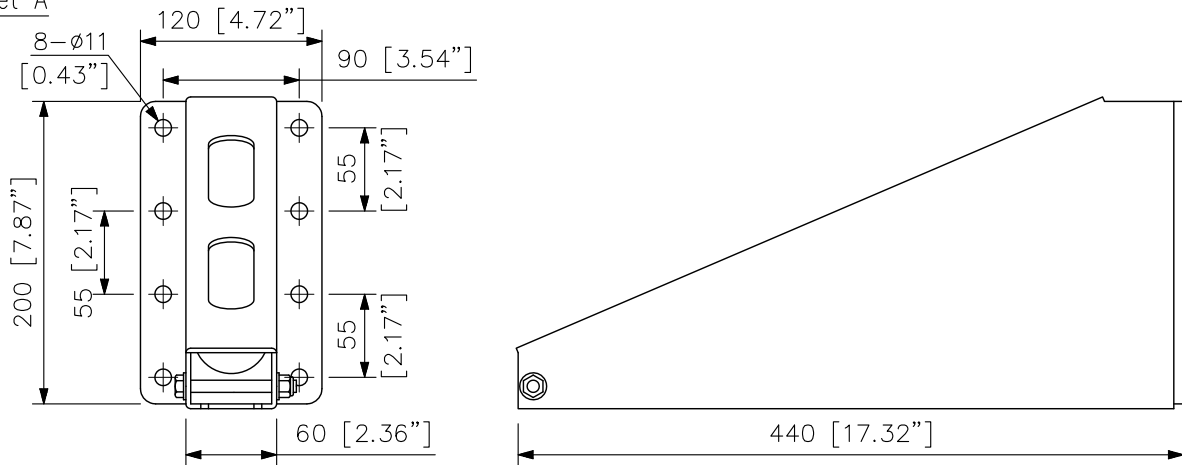
SPECIFICATIONS

| | |
|---------------------|---------------------------------------|
| Finish | Steel plate, black, semi-gloss, paint |
| Weight | 5 kg (11.02 lb) |
| Accessory | Speaker mounting bolt ...4 |
| Option | Speaker rigging bracket: HY-VM7B |
| Product Composition | Bracket A ...1, Bracket B ...1 |

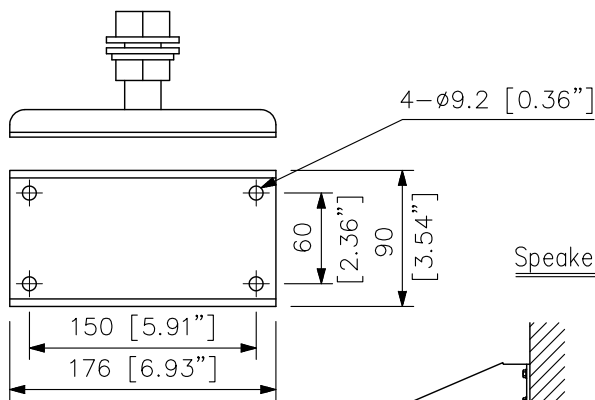
Note: Wall mounting bolts and nuts are not supplied.

APPEARANCE

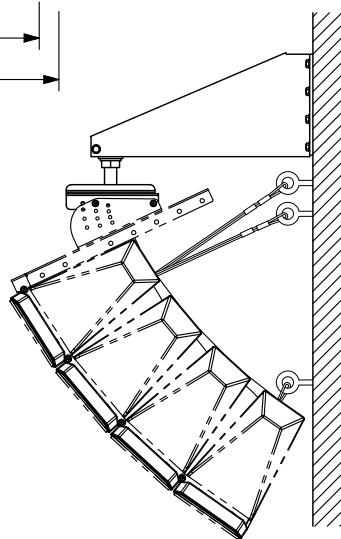
Bracket A



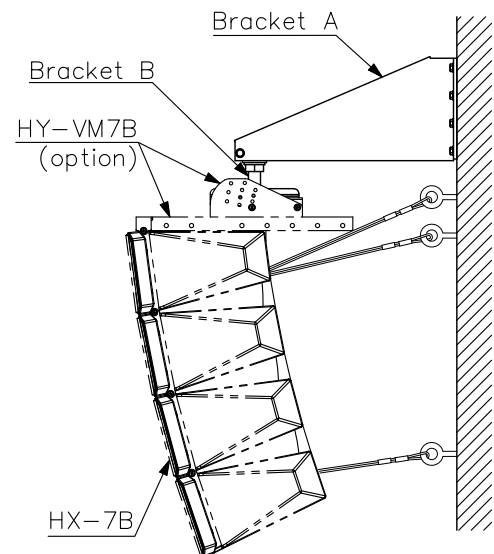
Bracket B



Speaker mounting example (scale: 1/15)



Speaker: 30° mode
Bracket: When set to a tilt angle of 25°



Speaker: 15° mode
Bracket: When set to a tilt angle of 0°

Note: Wires, anchor shackles, and carabiners necessary for hanging are not supplied with the product.

UNIT:mm SCALE:1/5