

DESCRIPTION

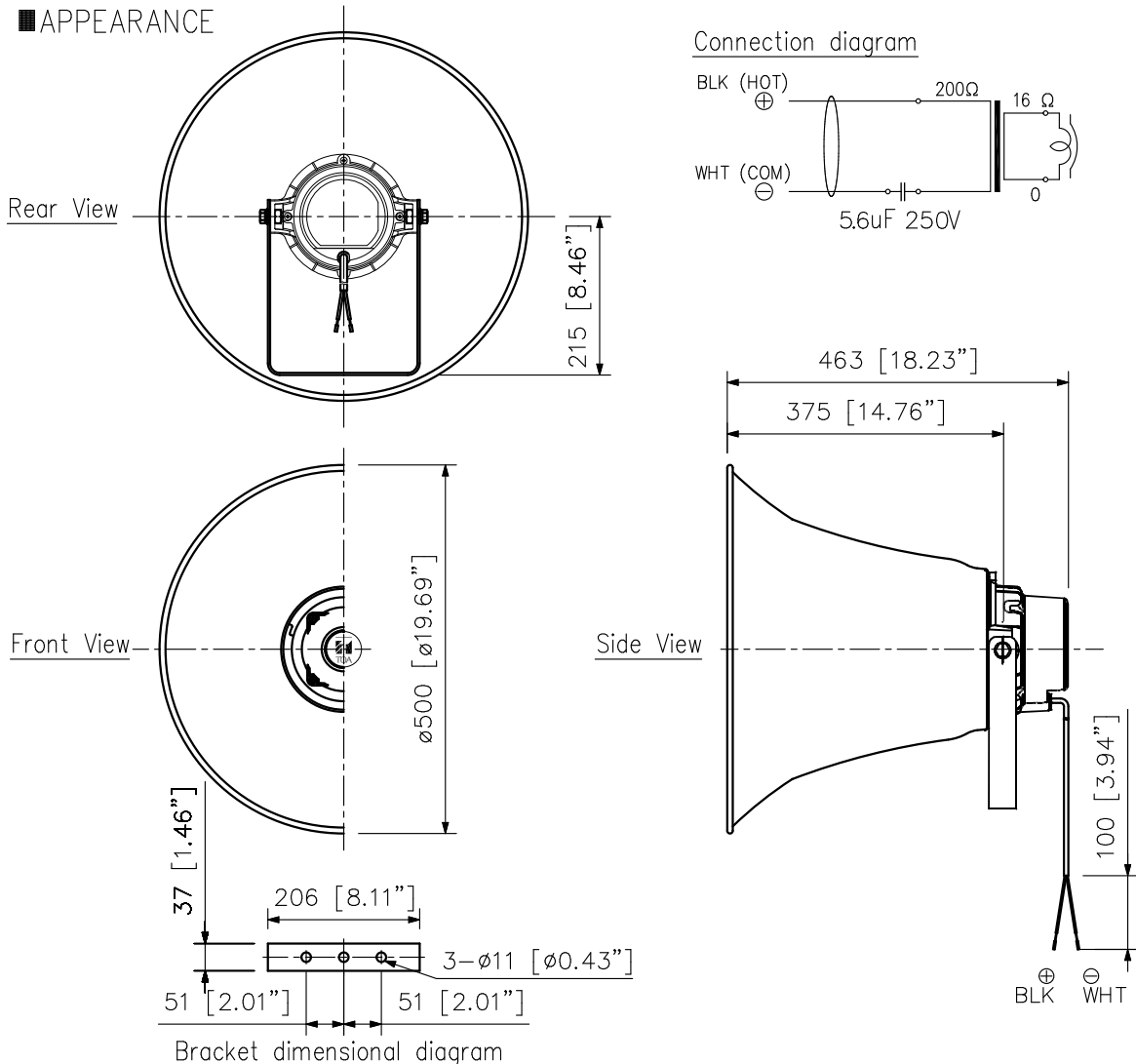
The ZH-5050M-AS is a horn speaker highly intelligible with built-in low frequency cut filter, general-purpose speaker suited to public address announcement applications. Its external speaker component finished with coating, and stainless steel screws ensure the unit is rust resistance and weatherproof capability.

SPECIFICATIONS

Rated Input	50 W
Rated Impedance	100 V line: 200 Ω (50 W)
Sensitivity	110 dB (1 W, 1 m)
Frequency Response	160 Hz – 6 kHz
Dust/Water Protection	IP65
Polarity	Hot: Black, Com: White
Operating Temperature	-20 °C to +60 °C (-4 °F to 140 °F) (must be free from dew condensation)
Finish	Horn flare: Aluminum, white, coating (RAL 9010 or Equivalent) Reflector horn: Plastic resin, white (RAL 9010 or Equivalent) Bracket holder: Aluminum, gray, coating (RAL 7037 or Equivalent) Bracket: Steel, gray, coating (RAL 7037 or Equivalent) Rear cover: Plastic resin, gray (RAL 7037 or Equivalent) Screw and bolts: Stainless steel Speaker cable: Polyvinyl chloride insulated cabtyre cable, gray (6 mm (0.24") in diameter, 600 mm (23.62") in length)
Dimensions	ø500 (W) × 463 (D) mm (ø19.69" × 18.23")
Weight	5 kg (11.02 lb)

Note: Avoid installing the speaker in locations which vibrate considerably, or under environments easy to be oil-contaminated.

APPEARANCE



UNIT: mm SCALE: 1/10