

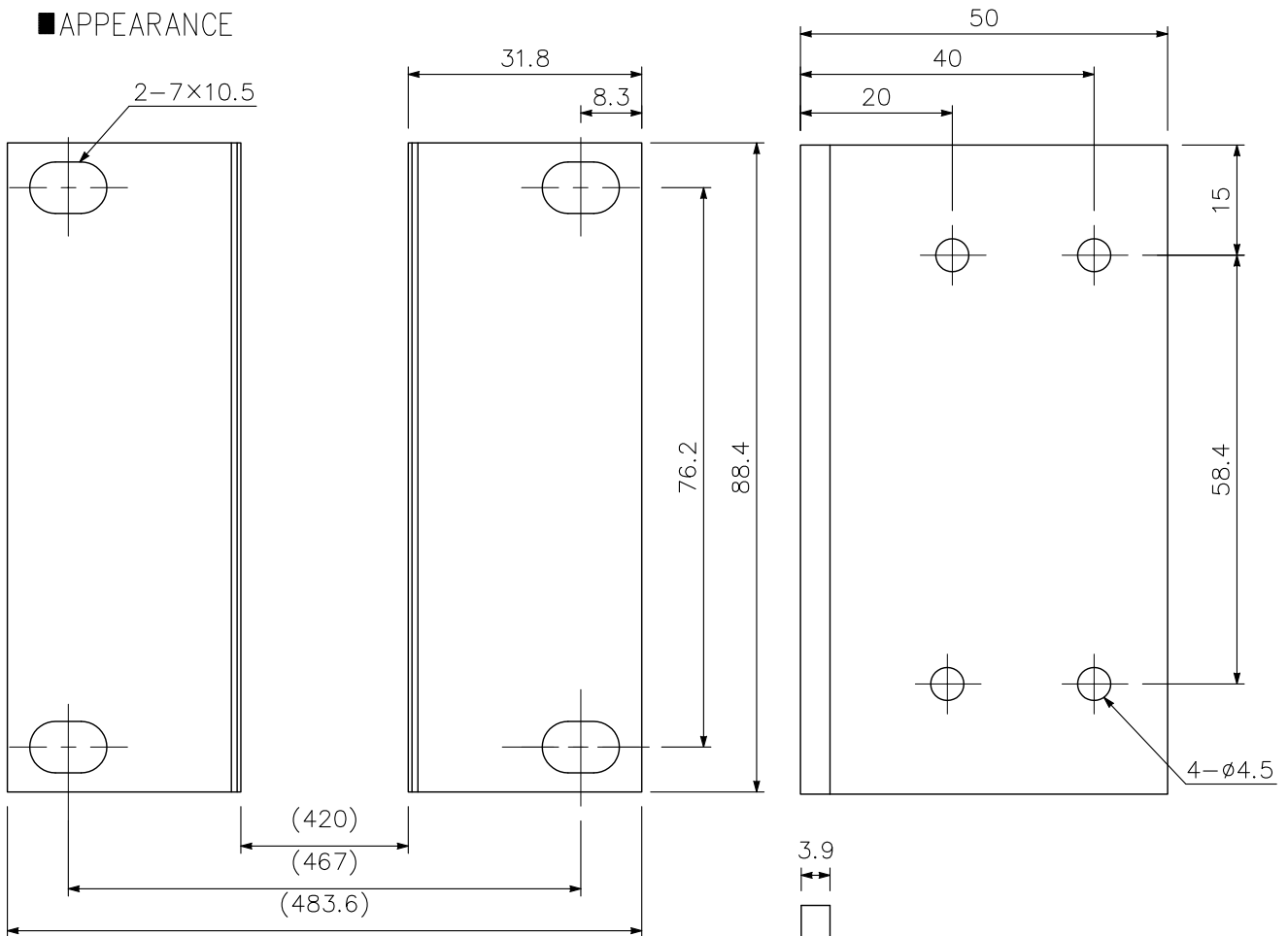
### DESCRIPTION

The MB-25B-J is used for side-by-side connection of 2-unit size components that are 210 mm in width in an EIA component rack.

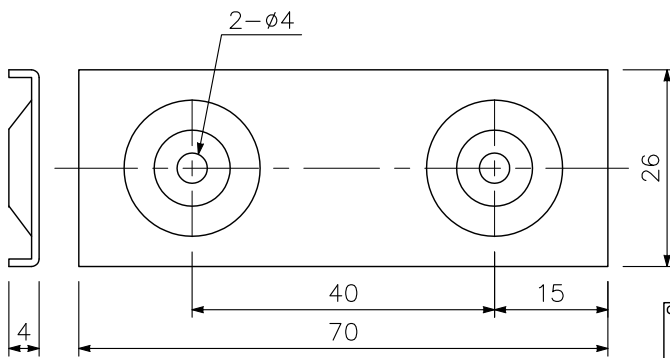
### SPECIFICATIONS

Finish	Joint bracket: Steel plate, chromate, black
Weight	150 g
Product Composition	Mount bracket .....2, Joint bracket .....1
Accessory	Unit mounting screw .....1 set

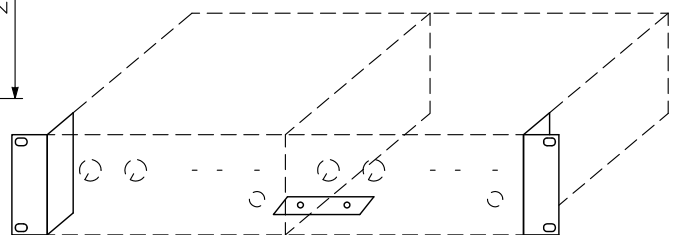
### APPEARANCE



Rack Mounting Bracket



Joint Bracket



How to use joint brackets

UNIT:mm SCALE:1/1