

■ SPECIFICATIONS

Product Composition	Handheld wireless microphone ...1, Receiver ...1
Frequency Range	694 - 806MHz(*1), UHF
Channel Selectable	4 Channels
Tunable Frequencies	25kHz Steps
Tone Frequency	32.768kHz
Total Harmonic Distortion	<1% @ 1kHz
Function	IR sync, Channel scan, Battery indicator
Accessory	Microphone holder ...1

Wireless microphone

Microphone Element	Dynamic with cardioid pattern
RF Carrier Power	10mW
Audio Frequency Response	80 - 15000 Hz
Maximum Input Level	140dB SPL (maximum)
Oscillator	PLL synthesizer
Battery	1 AA size alkaline battery, 1.5 V
Battery Life	Approx. 10 hours
Indication	Battery status LED, 7 segments LED
Finish	Resin, coating
Dimensions	approx. 250 x 50 mm
Weight	approx. 245 g (with battery)

Wireless receiver

Power Source	AC mains (supplied AC-DC adapter must be used)
Sensitivity	10uV at 45dBA S/N
Squelch System	Tone SQ, Carrier SQ, Noise SQ
Audio Frequency Response	50 - 15000Hz
Audio Output Level (Maximum)	Balanced (XLR socket) : -20dBu Un-balanced (1/4" jack socket) : 10dBu
Power Consumption	11-18 VDC 300mA
Dimensions	215(W) x 39(H) x 102(D) mm (excluding antenna and BNC)
Weight	480g

(*1)

Band	Frequency
A	694 - 703 MHz, UHF
B	748 - 758 MHz, UHF
C	803 - 806 MHz, UHF

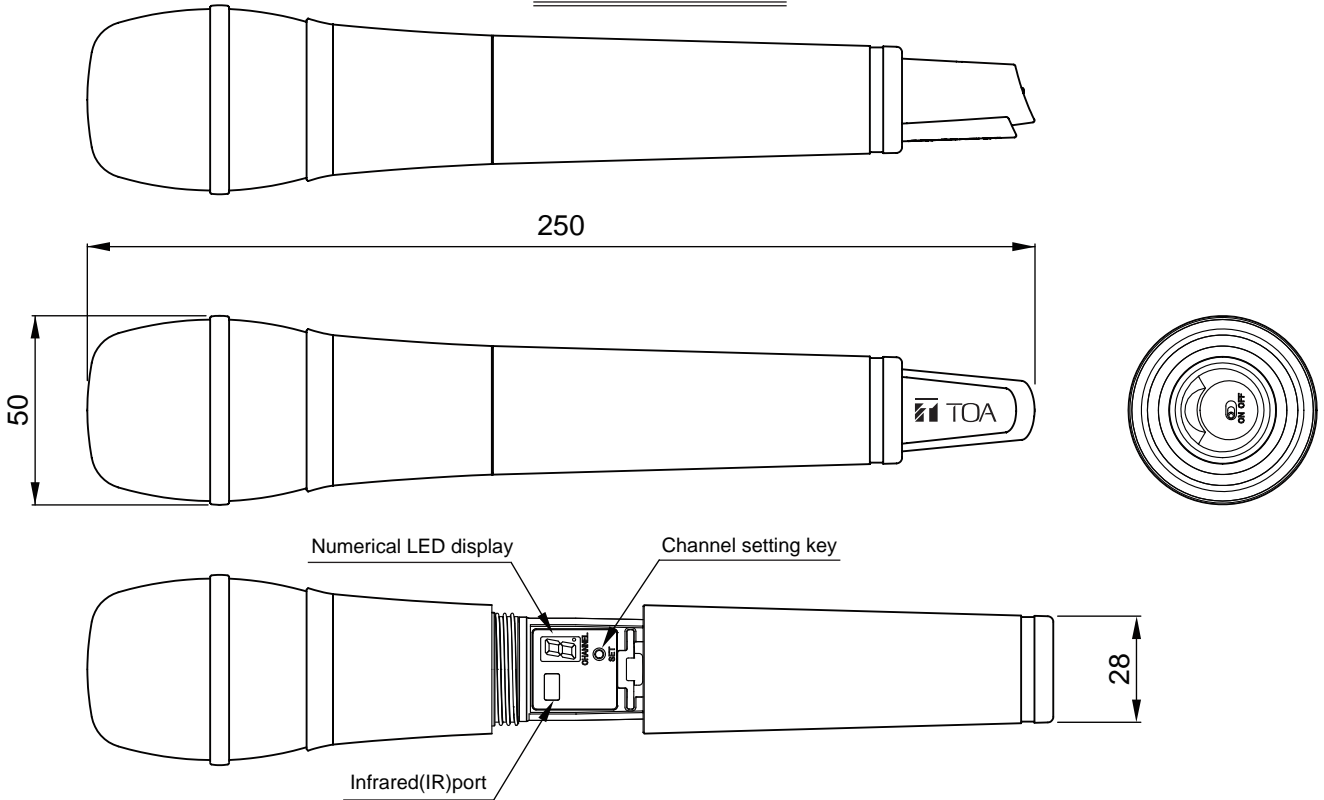


Single Wireless set

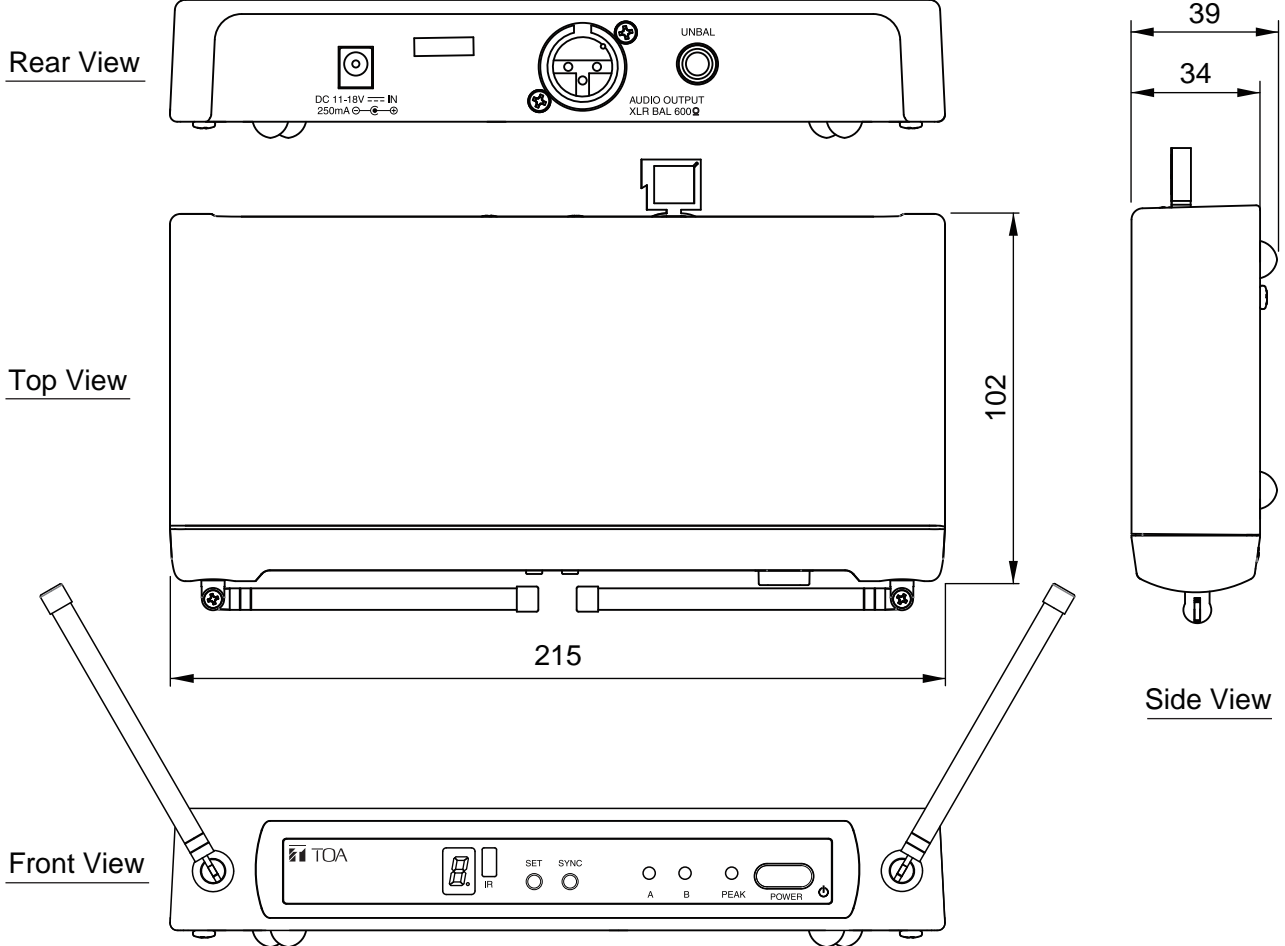
WS-420-AS	WA1D00
WS-420-AS	EB7D00
WS-420-AS	ECBD00

■ APPEARANCE

Wireless Microphone



Wireless Receiver



UNIT: mm