

## DESCRIPTION

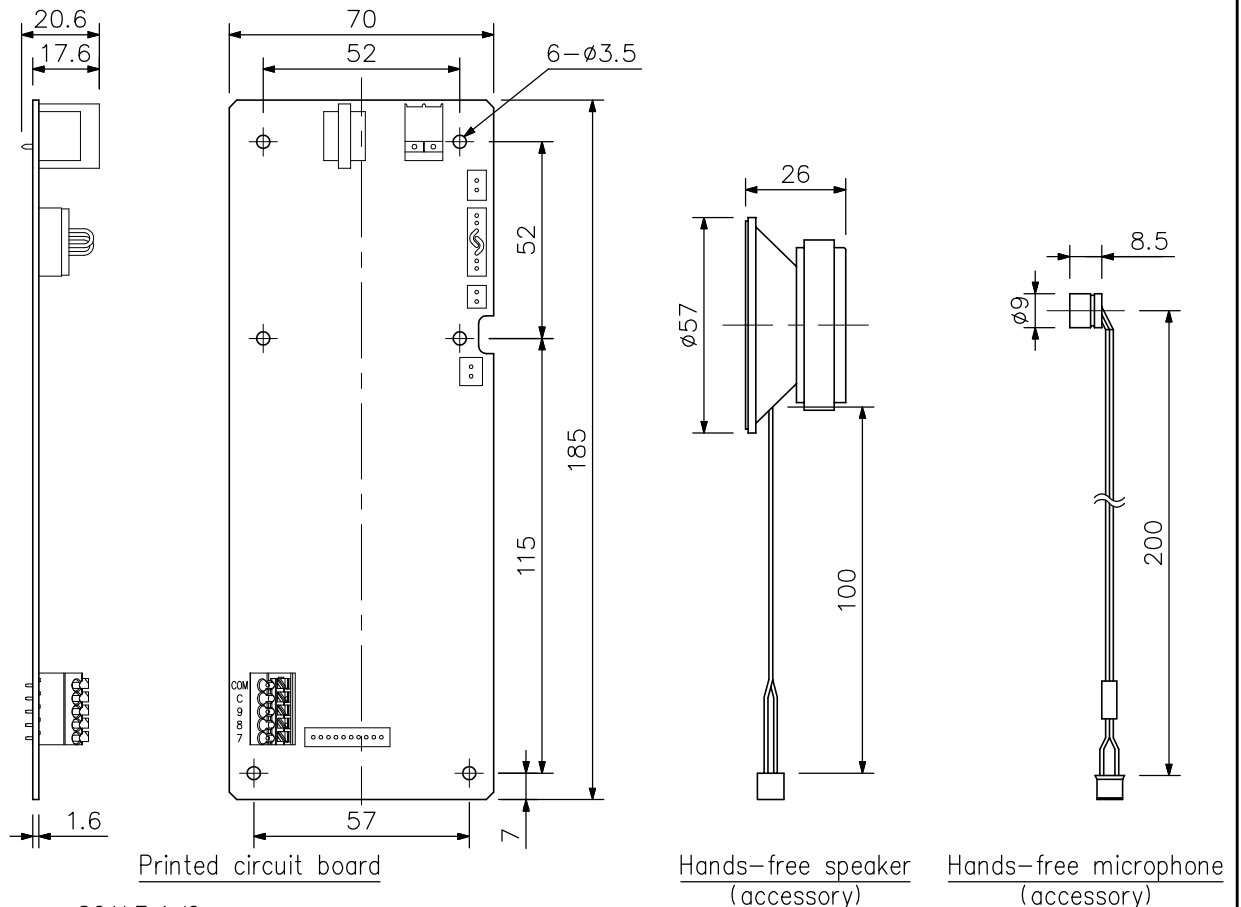
The N-8031SB is a printed circuit board unit for the N-8031MS Flush-mount Hands-Free Master Station. You can make the master station suitable for applications using the N-8031SB in combination with the operation panel section to be prepared separately.

## SPECIFICATIONS

\* 0 dB = 1 V

Power Source	48 V DC (supplied from the IP intercom exchange (option))
Power Consumption	1.8 W (at rated), 2.4 W (max.)
Wiring Method	Non-polar one pair stranded wire system
Transmission System	2 wire 160 kbps echo canceller transmission system
Signal Level	Under 0 dB*
Speech Method	Hands-free conversation (Handset conversation can be established in conjunction with the RS-191 (option)).
Audio Frequency Range	300 - 7,000 Hz
Transmission Range	Max. 1500 m (∅0.65 mm, Loop resistance 170 Ω)
Hands-free	Speaker (accessory): 5.7 cm cone-type, 0.6 W, 8 Ω Microphone (accessory): Omni-directional electret condenser microphone
Line Connection Terminal	Pin header (2 pins)
Status Indicator LED	Solderless connector (2 pins, male), voltage: 5 V, maximum load current: 5 mA
Connecting Terminal	
Dial Input	Solderless connector (10 pins, male), open voltage: 3.3 V DC, short-circuit current: 1 mA
External Dial Input	No-voltage make contact input, open voltage: 5 V DC, short-circuit current: 1 mA, screwless connector (5 pins)
Operation Temperature	0°C to +40°C
Operation Humidity	Under 90% RH (no condensation)
Dimensions	70 (W) × 185 (H) × 20.6 (D) mm
Weight	205 g (including accessories)
Accessory	Removable terminal plug (2 pins, preinstalled on the unit) ---1, Handset jumper (8 pins, preinstalled on the unit) ---1, Ferrite clamp ---1, Hands-free speaker (with connection cord) ---1, Hands-free microphone (with connection cord) ---1
Option	Option handset: RS-191

## APPEARANCE



UNIT:mm SCALE:1/2