

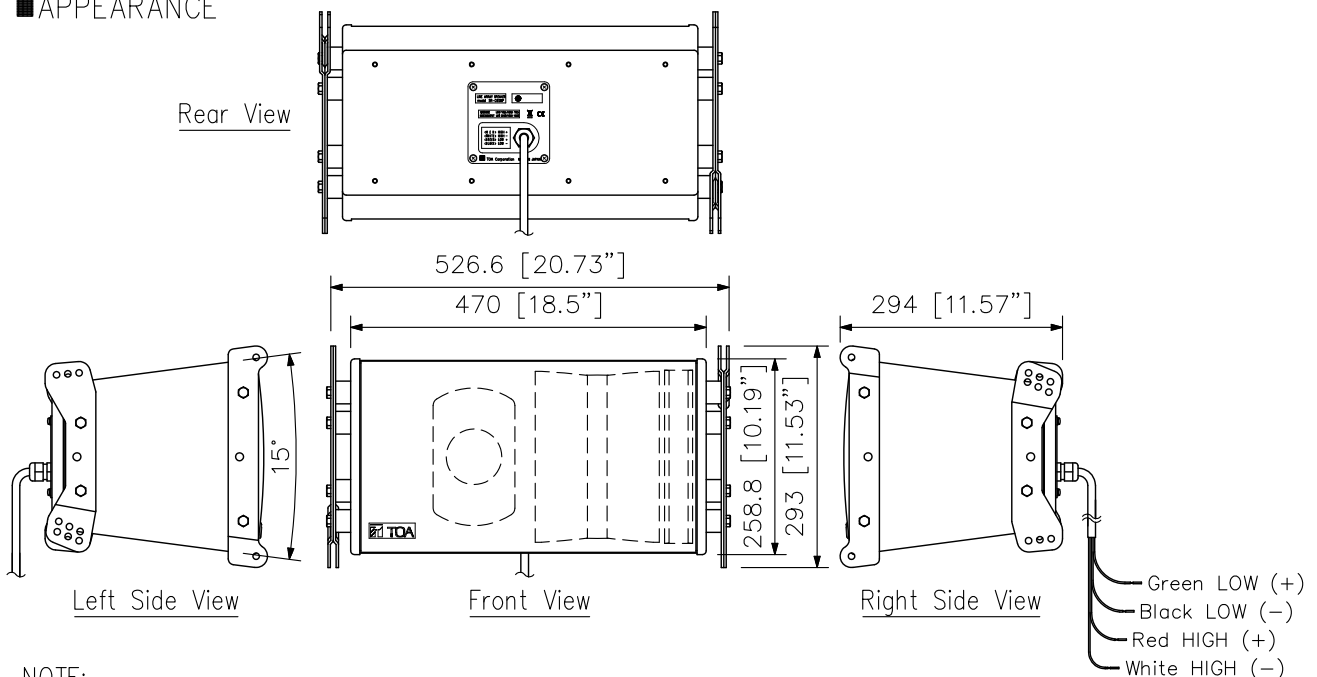
DESCRIPTION

The SR-C8SWP is a 2-way line array speaker featuring wave front control technology which creates a sound field with high sound clarity and uniform sound pressure. Recommended digital speaker processor is the DP-SP3 (option). It can be converted into the bi-amplifier drive system by changing the internal connection.

SPECIFICATIONS

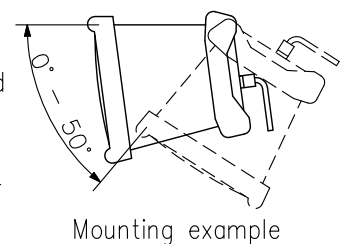
| | |
|-------------------------|--|
| Enclosure | Bass-reflex type |
| Power Handling Capacity | Continuous program: 360 W (single-amp mode) Low: 360 W, High: 180 W (bi-amp mode) |
| Rated Impedance | 16 Ω (single-amp mode) Low: 16 Ω, High: 16 Ω (bi-amp mode) |
| Sensitivity | 98 dB (1 W, 1 m) (single-amp mode) Low: 95 dB (1 W, 1 m), High: 110 dB (1 W, 1 m) (bi-amp mode) |
| Frequency Response | 65 Hz - 20 kHz (when recommended parameters are applied by the optional DP-SP3) |
| Crossover Frequency | 1.6 kHz (when recommended parameters are applied by the optional DP-SP3) |
| Directivity Angle | Horizontal: 110°, Vertical: 15° |
| Speaker Component | Low frequency: 20 cm (8") cone-type High frequency: Wave front control horn 110° (horizontal) × 15° (vertical) + compression driver × 2 |
| Connected Cable | Direct cable withdrawal from internal speaker: $\varnothing 8.6$ mm ($\varnothing 0.34$ "), conductor cross section: 1.25 mm ² , 4-core cable, 3 m (9.84 ft) |
| Water Protection | IPX4 |
| Finish | Enclosure: Plywood, black, urethane coating Front grille: Punched stainless steel, black, paint |
| Dimensions | 526.6 (W) × 293 (H) × 294 (D) mm (20.73" × 11.54" × 11.57") |
| Weight | 16 kg (35.27 lb) |
| Accessory | M8 connection bolt ×4 |
| Option | Rigging frame: SR-RF8WP Digital speaker processor: DP-SP3 |

APPEARANCE



NOTE:

1. It features the water-protection construction (IPX4), however it is recommended that it be installed under roofs, eaves, or other locations not directly exposed to rain or snow.
2. Do not install the SR-C8SWP at places where it is likely to be corroded such as bath room, indoor pools, or seaside.
3. Install the speaker with its air hole down. The air hole are provided at the bottom surface.
4. For outdoor permanent installation, the installation angle of the speaker as shown at the right must be between 0° horizontal and 50° downward.
5. When permanently installing the speaker outdoors, inspect it periodically.



UNIT:mm SCALE:1/10