

## DESCRIPTION

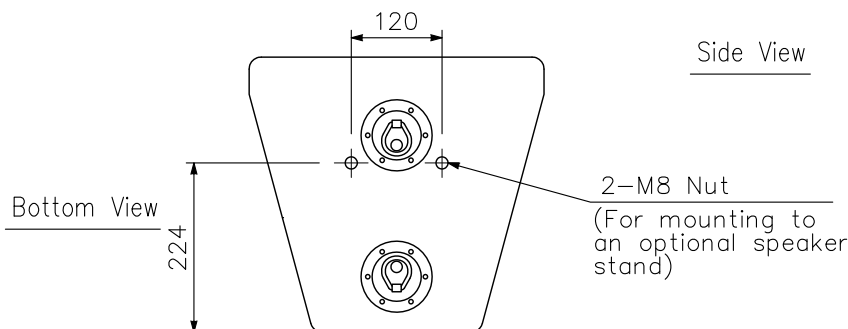
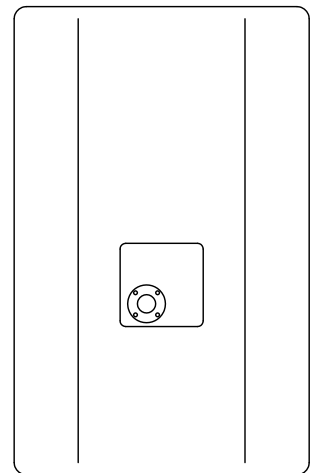
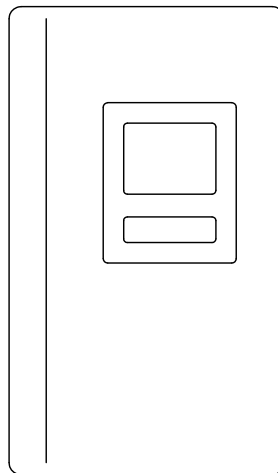
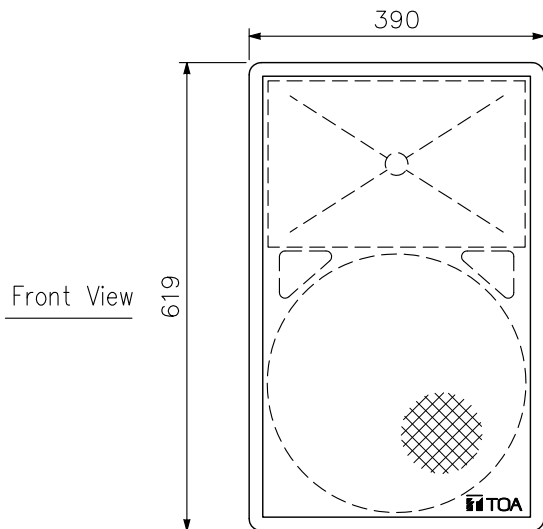
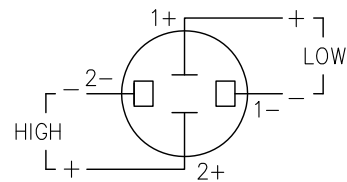
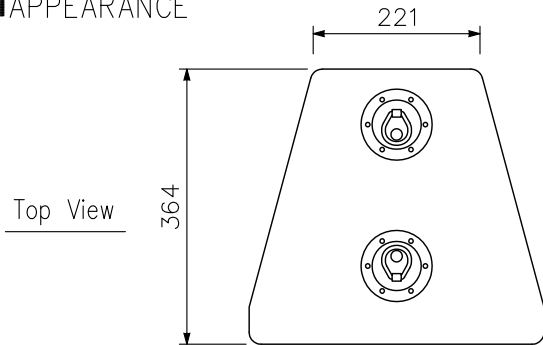
The SR-F1D is compact integrated speaker system for use in sound reinforcement applications with an emphasis on quality sound and durability, and for easy transportation.  
Recommended digital speaker processor is the DP-SP3 (option).

## SPECIFICATIONS

Enclosure	Bass-reflex type
Power Handling	Continuous pinknoise: 120 W (Low frequency)(*1), 80 W (High frequency)(*2)
Capacity	Continuous program: 360 W (Low frequency), 240 W (High frequency)
Rated Impedance	Low frequency: 8 Ω, High frequency: 16 Ω
Sensitivity	Low frequency: 98 dB (1 W, 1 m), High frequency: 110 dB (1 W, 1 m)
Frequency Response	70 Hz – 20 kHz (when recommended parameters are applied by the optional DP-SP3)
Crossover Frequency	1 kHz (when recommended parameters are applied by the optional DP-SP3)
Speaker Component	Low frequency: One 30 cm dia cone-type High frequency: CD horn (60° horizontal by 40° vertical) plus compression driver
Input Connector	Neutrik NL4MPR
Finish	Enclosure: urethane coating, gray Front grille: Black, paint
Dimensions	390 (W) X 619 (H) X 364 (D) mm
Weight	38 kg

\*Band limited (50 Hz – 1 kHz (\*1)), (1 – 20 kHz (\*2)) pink noise signal (24 hrs.)

## APPEARANCE



UNIT: mm SCALE: 1/10