

DESCRIPTION

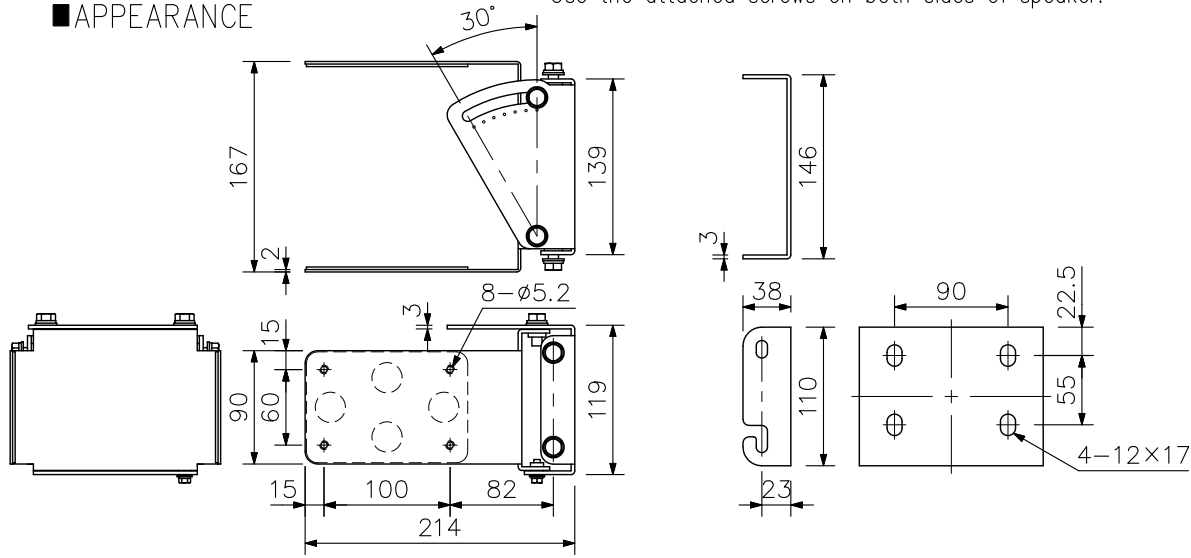
The SR-WB4WP bracket is used to mount the SR-S4LWP Line array speaker upright to the wall.

SPECIFICATIONS

| | |
|----------------------------------|---|
| Number of Speakers to be Mounted | Max. 2 (when jointed with an optional SR-EP4WP) |
| Finish | Stainless steel |
| Weight | 4.3 kg (including accessories) |
| Product Composition | Speaker mounting bracket A ---1, Speaker mounting bracket B ---1, Bracket base ---2 |
| Accessory | Bracket assembling screw (M8 upset head) ---8 |
| Option | Extension plate: SR-EP4WP |

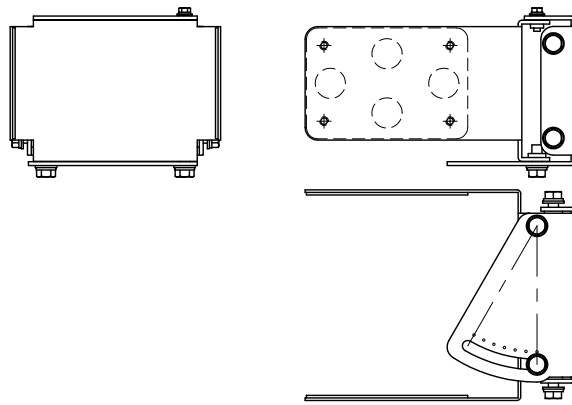
Note: The speaker fixing screws are not supplied with the unit.
Use the attached screws on both sides of speaker.

APPEARANCE

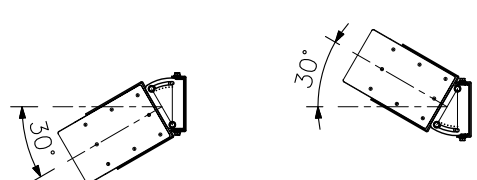


Speaker mounting bracket A

Bracket base



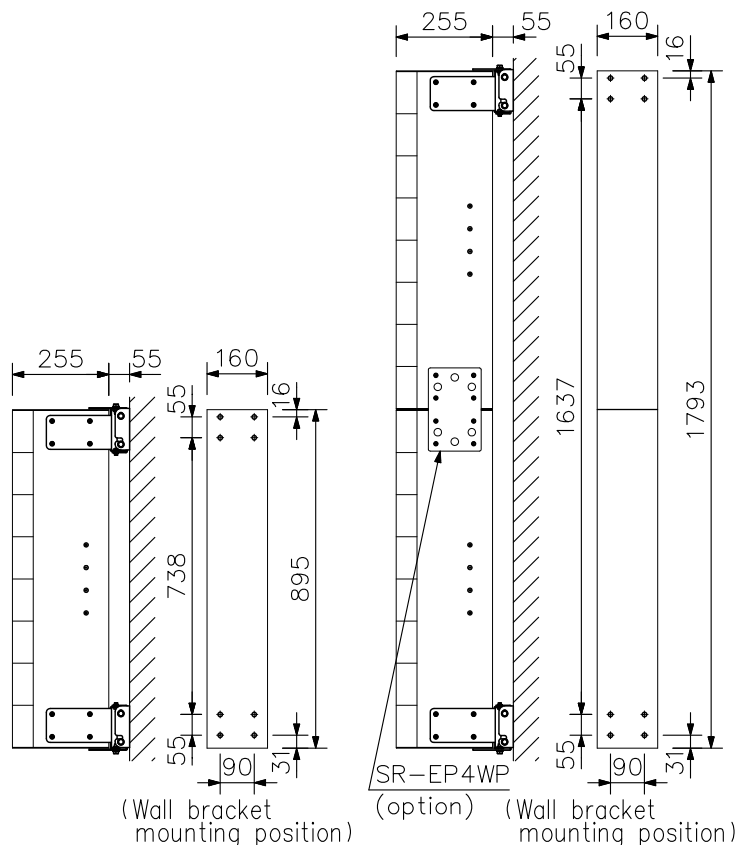
Speaker mounting bracket B



(When Bracket A is attached to the upper part of the speaker.)

(When Bracket B is attached to the upper part of the speaker.)

Note: When Speaker Bracket A is attached to the upper part of the speaker, the speaker can be tilted right at an angle of up to 30°. When Speaker Bracket B is attached to the upper part of the speaker, the speaker can be tilted left at an angle of up to 30°.



(Wall bracket mounting position)

(option) (Wall bracket mounting position)

(When installing one SR-S4LWP) (When 2 SR-S4LWP are jointed)

UNIT:mm SCALE:1/6

Mounting example (scale: 1/20)