

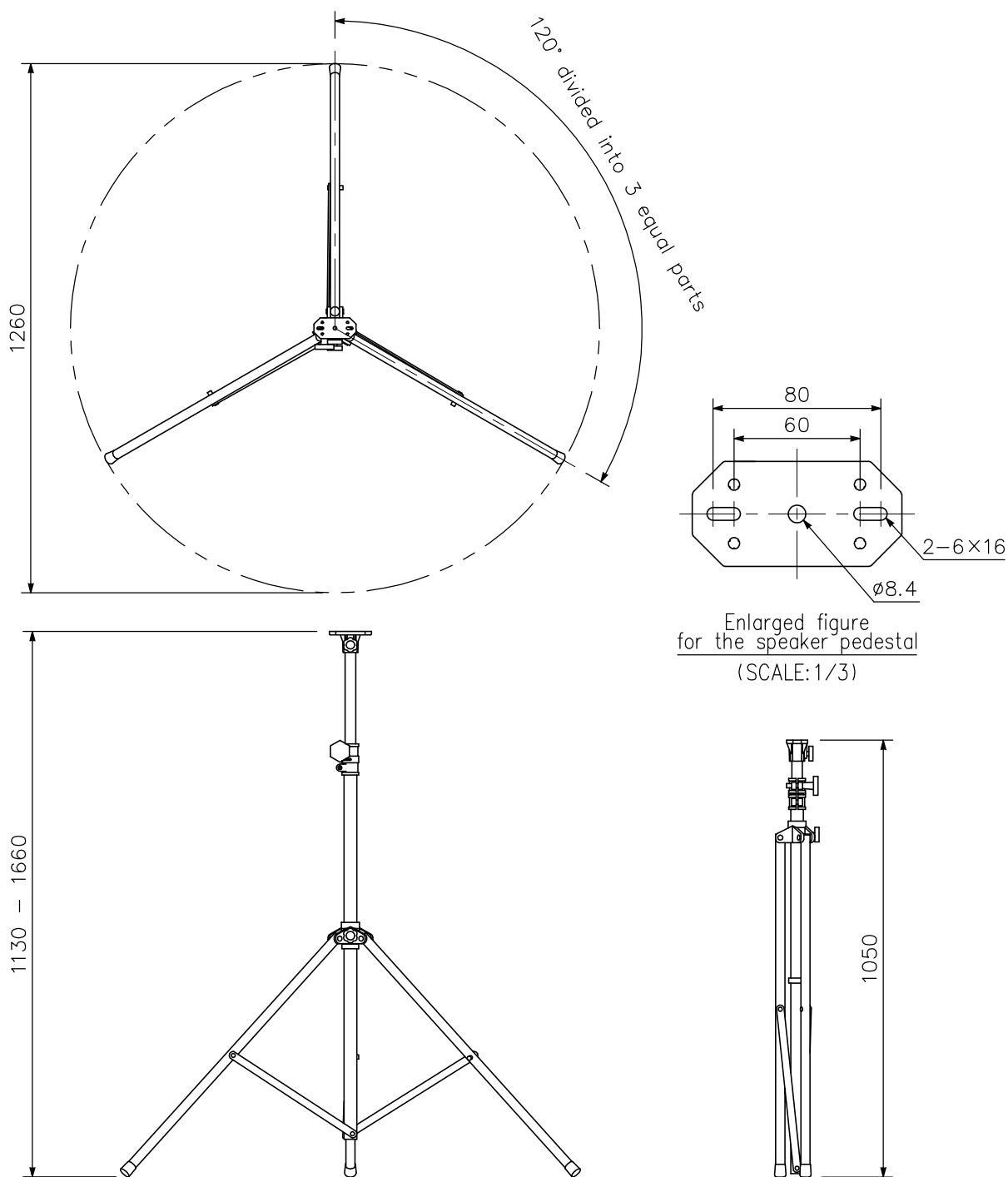
## DESCRIPTION

The ST-16A is a lightweight, smart speaker stand made of aluminum.

## SPECIFICATIONS

|                             |   |
|-----------------------------|---|
| Effective Extensible Length | 1130 - 1660 mm  |
| Load Capacity               | 7 kg (static load)  |
| Finish                      | Stand: Aluminum, silver, mat finish<br>Speaker mounting bracket: Polyamide resin, black                       |
| Weight                      | 1.7 kg (bracket included)   |
| Accessory                   | Speaker mounting screw (M5 × 20) ×2, Hexagon headed bolt (M8 × 20) ×1, Washer ×1, Spacer ×1, Butterfly nut ×1 |

## APPEARANCE



UNIT:mm SCALE:1/15

When folded