

■DESCRIPTION

The TS-800 is a Central unit of the Infrared Conference system. Since the system is cordless, it can be easily installed and removed based on a free layout.

Connecting the TS-800 to the Transmitter/Receiver units permits control of the conference units. It features control function from a PC (The control software is not attached.), and installation confirmation function that confirms the connection status for the Transmitter/Receiver units and installation status for the conference units.

With the use of an optional rack mounting bracket, it can be mounted in an EIA Standard equipment rack (4 unit size).

■SPECIFICATIONS

* 0 dB = 1 V

Power Source	100 – 240 V AC, 50/60 Hz (use of the supplied AC adapter)
Power Consumption	72 W
Current Consumption	Max. 3 A DC (when 24 V DC is supplied from the accessory AC adapter)
Carrier Frequency	Reception: Audio channel 1: 7.35 MHz Audio channel 2: 8.10 MHz Audio channel 3: 8.55 MHz Audio channel 4: 9.15 MHz Control channel: 6.45 MHz Transmission: Audio channel: 1.95 MHz
Input	MIC: -60 dB*, 600 Ω, unbalanced, ø6.3 mm phone jack (2P) AUX: -20 dB*, 10 kΩ, unbalanced, ø6.3 mm phone jack (2P)
Output	REC: -20 dB*, 10 kΩ, unbalanced, ø6.3 mm phone jack (2P), RCA pin jack HEADPHONE: ø3.5 mm mini Jack (3P:monaural)
Number of Connectable Chairman/Delegate Units	64 units
Number of Connectable Infrared Transmitter/Receiver Units	Up to 4 units (with the use of distributor, up to 16 units connectable when they are all TS-905, and up to 12 units when they are all TS-907, or TS-905 and TS-907 are used in combination)
Infrared Transmitter/Receiver I/O Terminal	4 BNC jacks
External Control Terminal	D-sub connector (9 P, male)
LED Indicator	Audio signal receiving indicators 1 – 4 CH, Data signal receiving indicator, External control priority indicator, External control communication indicator, Power indicator, Battery indicator (flashes when a Chairman/Delegate unit's battery nears complete discharge), Short-circuit indicator
Function Switch	Simultaneous speaker No. setting switch: 1/2/4 Mic-off setting switch: TIME OUT ON/OFF Speech priority selector switch: A/B/C (A: First-in-first-out priority, B: Last-in-first-out priority, C: Fixed for the first unit, and last-in-first-out for the subsequent units)
Operating Temperature	0 °C to +40 °C (32 °F to 104 °F)
Operating Humidity	90 %RH or less (no condensation)
Finish	Panel: Surface-treated steel plate, gray metallic, paint, semi-gloss
Weight	2.7 kg (5.95 lb)
Accessory	AC adapter (Cord length: 1.8 m (5.91 ft) DC cord, and 2 m (6.56 ft) detachable AC cord)·1
Option	Rack mounting bracket: MB-TS900

■ APPEARANCE

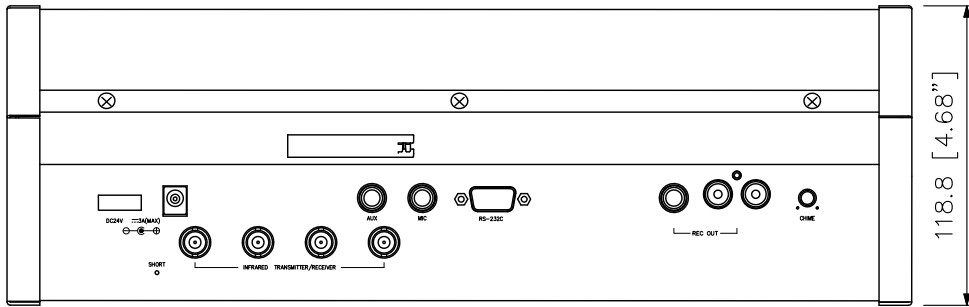


Figure as viewed from point A

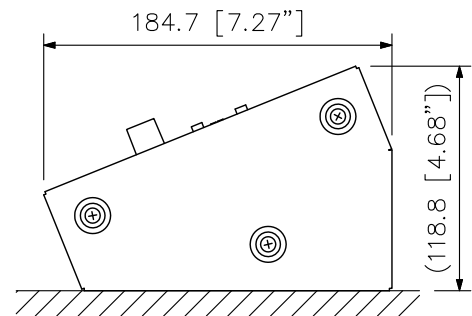
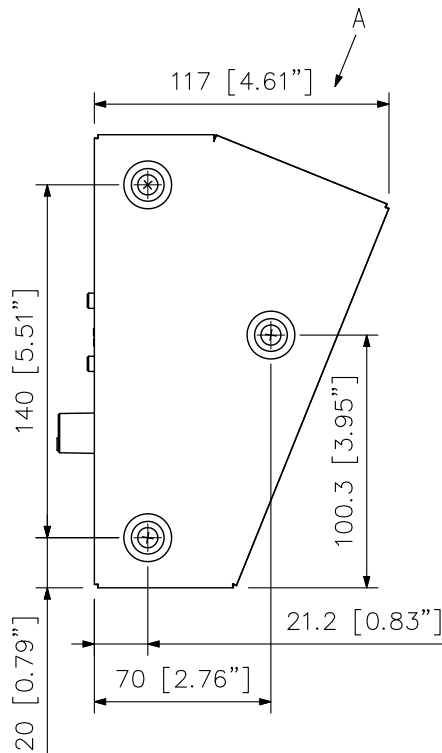
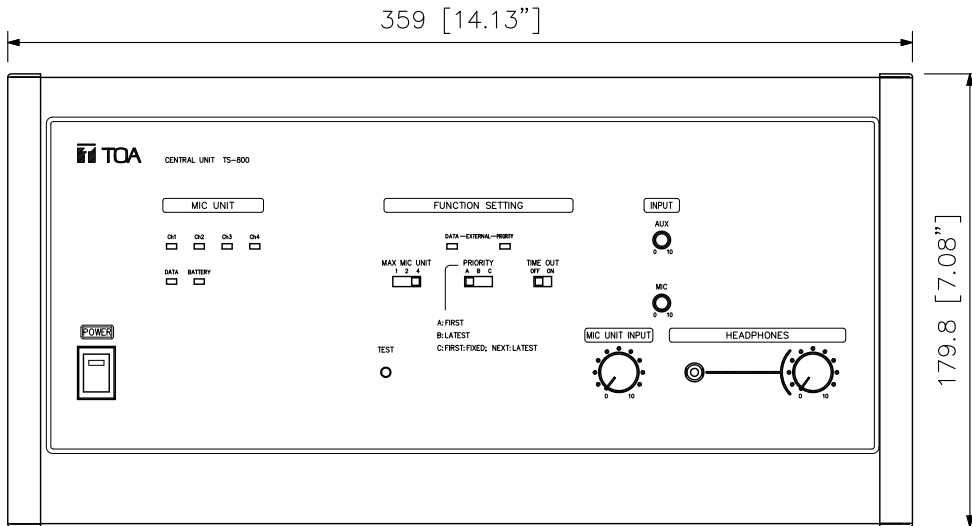


Figure of the unit installed
(scale: 1/4)

UNIT: mm SCALE: 1/3