

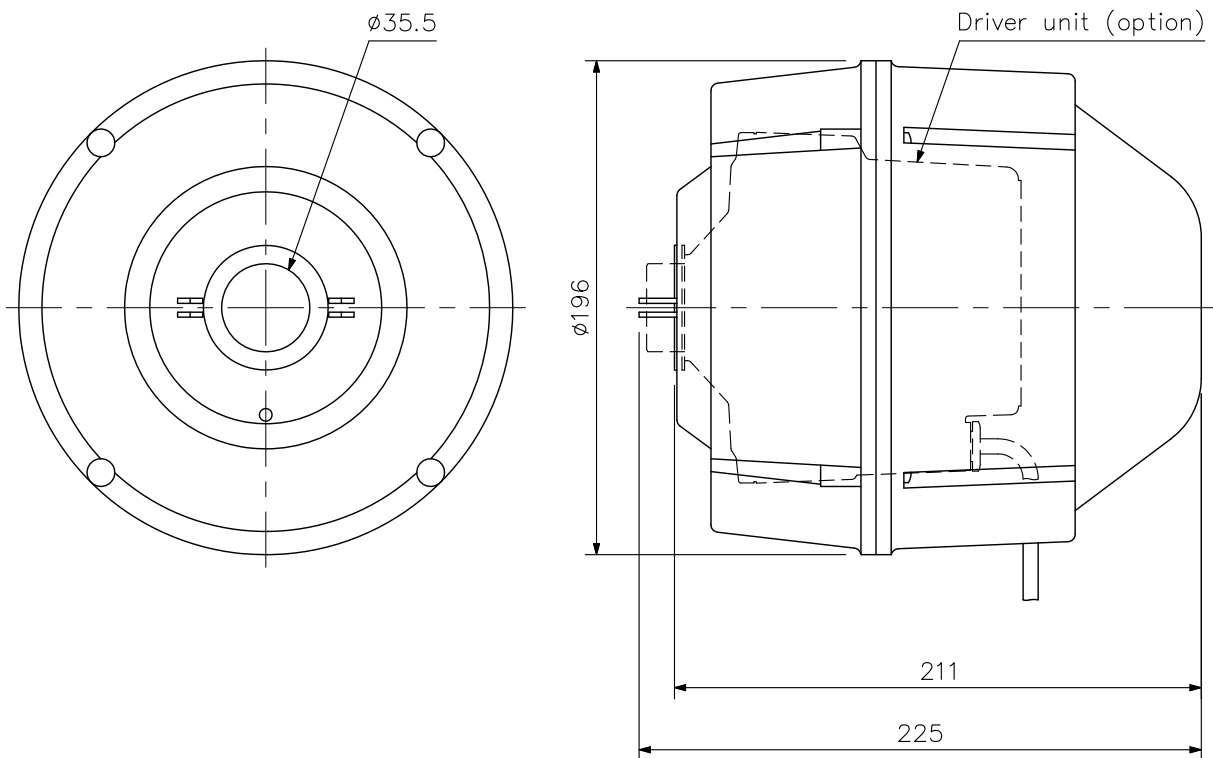
DESCRIPTION

The UC-200A is a protection cover for the driver units required to ensure long-term reliability. It employs glass fiber-mixed unsaturated polyester resin to protect the driver units from severe weather conditions (rain, snow, sand, sunlight, sea breeze, etc.).

SPECIFICATIONS

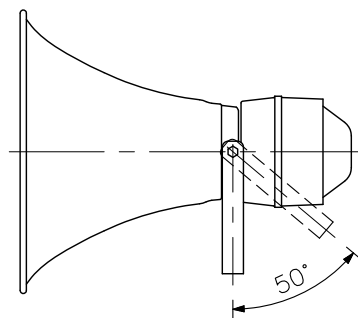
| | |
|------------------------|---|
| Finish | Unit cover: Glass fiber mixed unsaturated polyester resin, ivory Cover fixing screw: Stainless |
| Weight | 590 g |
| Accessory | Washer...2, Throat gasket...1 |
| Applicable Driver Unit | TU-631, TU-631M, TU-651, TU-651M, TU-660, TU-660M |
| Applicable Horn | TH-650, TH-660, DH-110, DH-120 |

APPEARANCE



Note.

1. The figures show the TU-651M.
2. A drain hole is provided if water gets into the unit cover. Ensure that the cover is installed with the drain hole facing down (toward the ground).
3. No cord is supplied with the unit. Run the output cable from an amplifier through the unit and connect the output cable to the driver unit cable.
4. When the cover is mounted to the TH-650 or TH-660, its bracket contacts the cover when rotated.
Bracket angle range adjustable toward the cover: About 50°



UNIT: mm SCALE: 1/3