

# TOA RECHARGEABLE LITHIUM-ION BATTERY

BP-900  
(CE/UL)

## DESCRIPTION

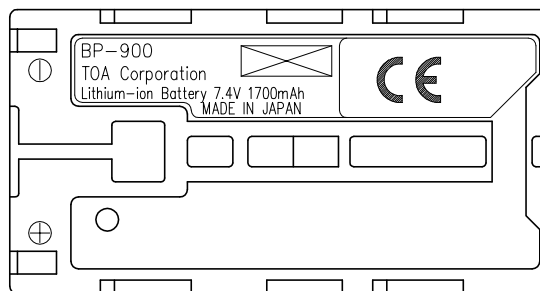
The BP-900 is a rechargeable lithium-ion battery designed for exclusive use with the conference units TS-801, TS-802, TS-901, and TS-902.

## SPECIFICATIONS

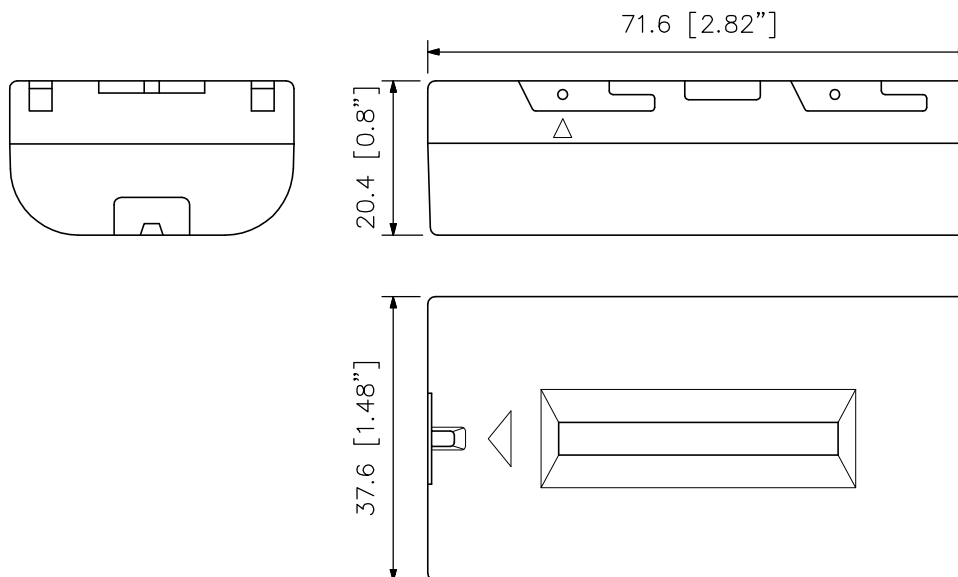
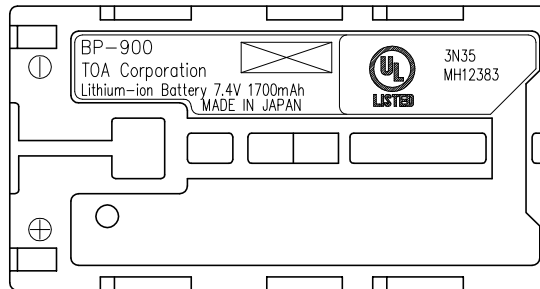
Nominal Voltage	7.4 V DC
Nominal Capacity	1700 mAh
Operating Temperature	0 °C to +40 °C (32 °F to 104 °F)
Operating Humidity	90 %RH or less (no condensation)
Dimensions	71.6 (W) × 20.4 (H) × 37.6 (D) mm (2.82" × 0.8" × 1.48")
Weight	95 g (3.35 oz)
Accessory	Terminal protection cover (pre-installed at the factory)×1

## APPEARANCE

CE version



UL version



Note: Be sure to fully charge the battery before use.  
Be sure to use the BC-900 charger with an exclusive charging function (optional) when recharging the batteries.

UNIT: mm SCALE: 1/1