

DESCRIPTION

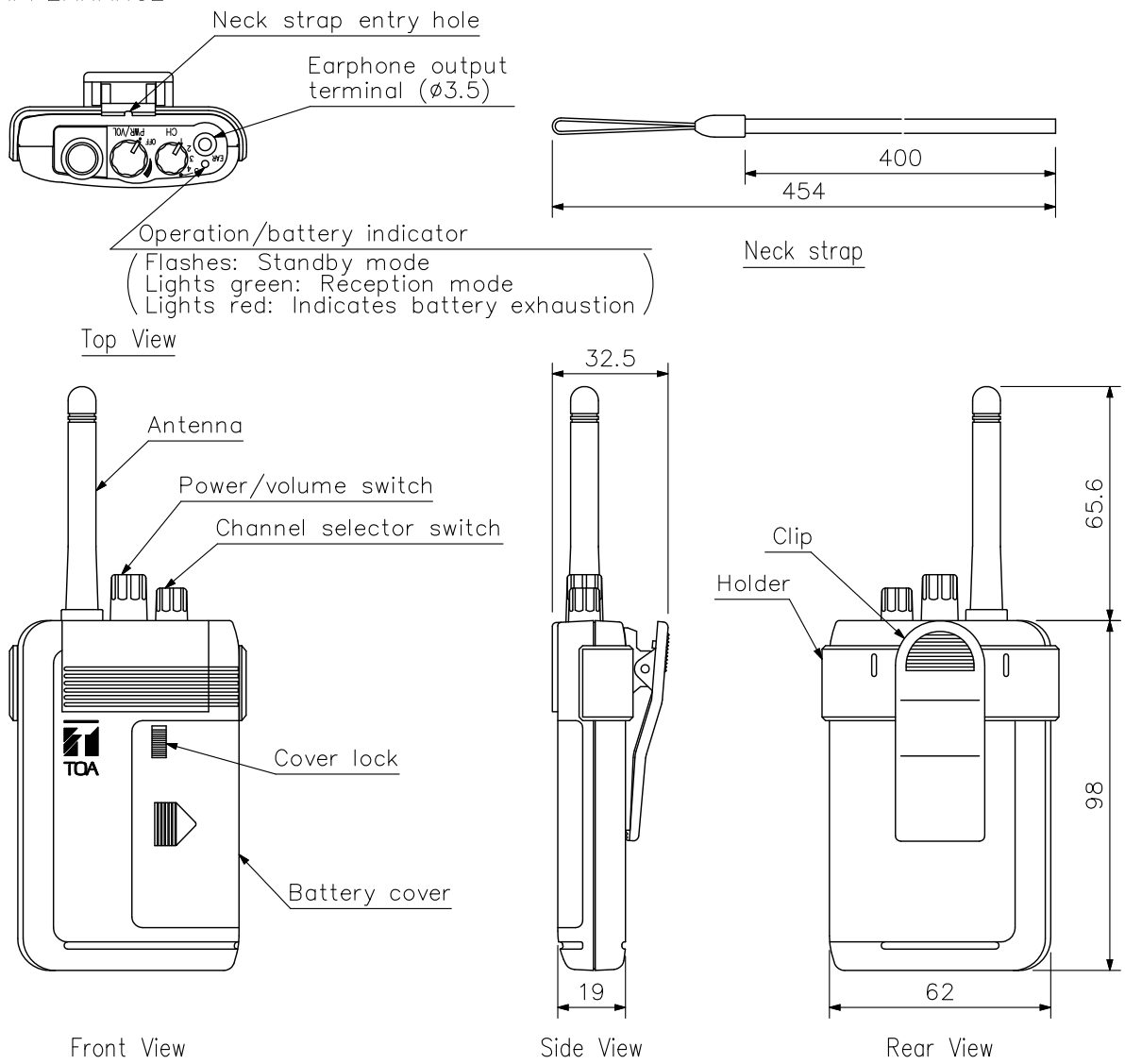
TOA's WT-2100 is a Portable Receiver designed to receive 470 MHz band radio signals. An optional earphone (not supplied with the unit) is required.

SPECIFICATIONS

Power Source	1.5 V DC (Battery)
Receiving Frequencies	470 MHz band (5 ch) (470.075, 470.150, 470.375, 470.625, 470.725 MHz)
Receiving System	Double super-heterodyne
Receiving Sensitivity	25 dB or more, Signal to Noise ratio (7 dB μ VEMF input, \pm 1.7 kHz deviation)
Frequency Response	200 Hz - 5 kHz (Portable transmitter \rightarrow Potable receiver) 150 Hz - 6 kHz (Desk-top transmitter \rightarrow Potable receiver)
De-emphasis	50 μ s
Output Level	4 mW (16 Ω load, 10 % distortion)
Battery Life	18 hours (alkaline)
Battery	LR6 (1.5 V) \times 1
Operation Temperature	-10 $^{\circ}$ C to +40 $^{\circ}$ C
Finish	Resin, dark silver
Dimensions	62 (W) \times 163.6 (H) \times 32.5 (D) mm
Weight	112 g (battery included)
Accessory	Neck strap.....1

- * Optional earphone YP-E401 Ear-suspension ear phone.
- * When using an earphone not made by TOA, use a one with a 3.5 mm-diameter plug and impedance of over 16 Ω .

APPEARANCE



UNIT:mm SCALE:1/2