

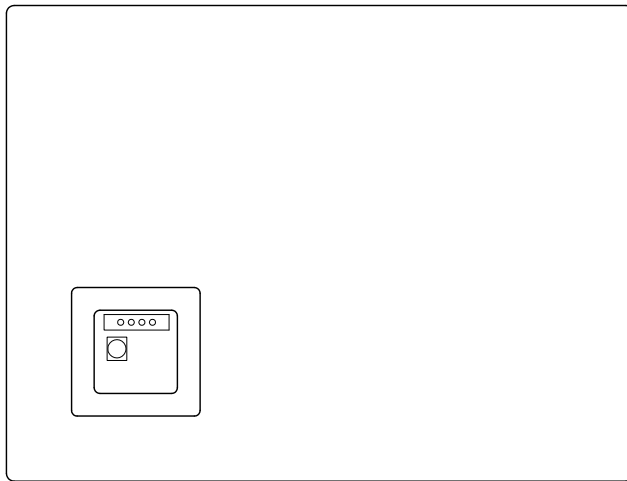
DESCRIPTION

Featuring high power, high quality, and rugged construction, the SR-L09 is a sub-woofer system that can be used for on-the-road applications as well as permanent installation. Recommended digital speaker processor is the DP-SP3 (option).

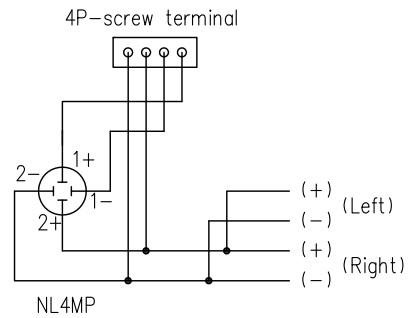
SPECIFICATIONS

| | |
|-------------------------|---|
| Enclosure | Bass-reflex type |
| Power Handling Capacity | Continuous pink noise: 300 W Continuous program: 900 W |
| Rated Impedance | 4 Ω |
| Sensitivity | 96 dB (1 W, 1 m) |
| Frequency Response | 35 Hz- 1 kHz |
| Crossover Frequency | 125 Hz (when recommended parameters are applied by the optional DP-SP3) |
| Speaker Component | Low frequency: 38 cm cone-type X 2 |
| Input Connector | Neutrik NL4MP and M5 screw terminal, distance between barriers: 12.2 mm |
| Finish | Enclosure: Plywood, black, paint Front grille: Steel plate, black, acrylic paint |
| Dimensions | 829 (W) X 629 (H) X 606 (D) mm |
| Weight | 67 kg |

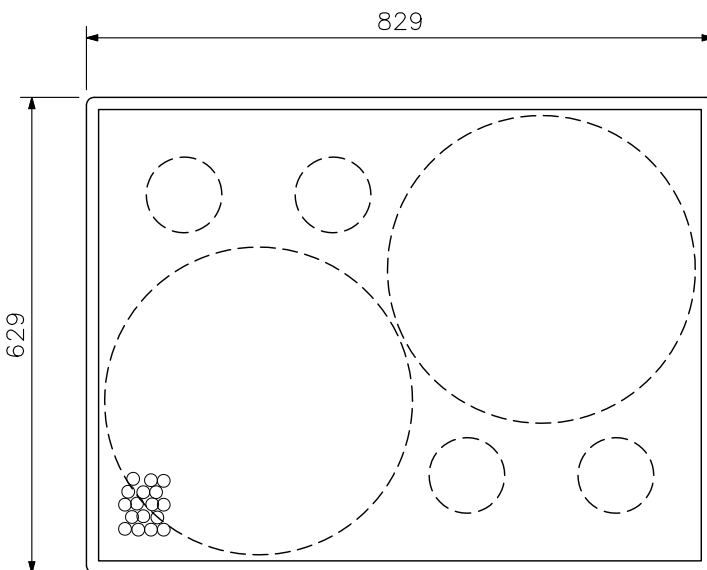
APPEARANCE



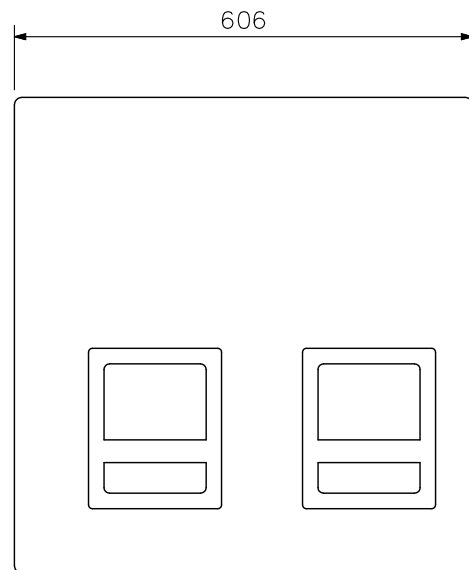
Rear View



Wiring Diagram



Front View



Side View

UNIT: mm SCALE: 1/10