

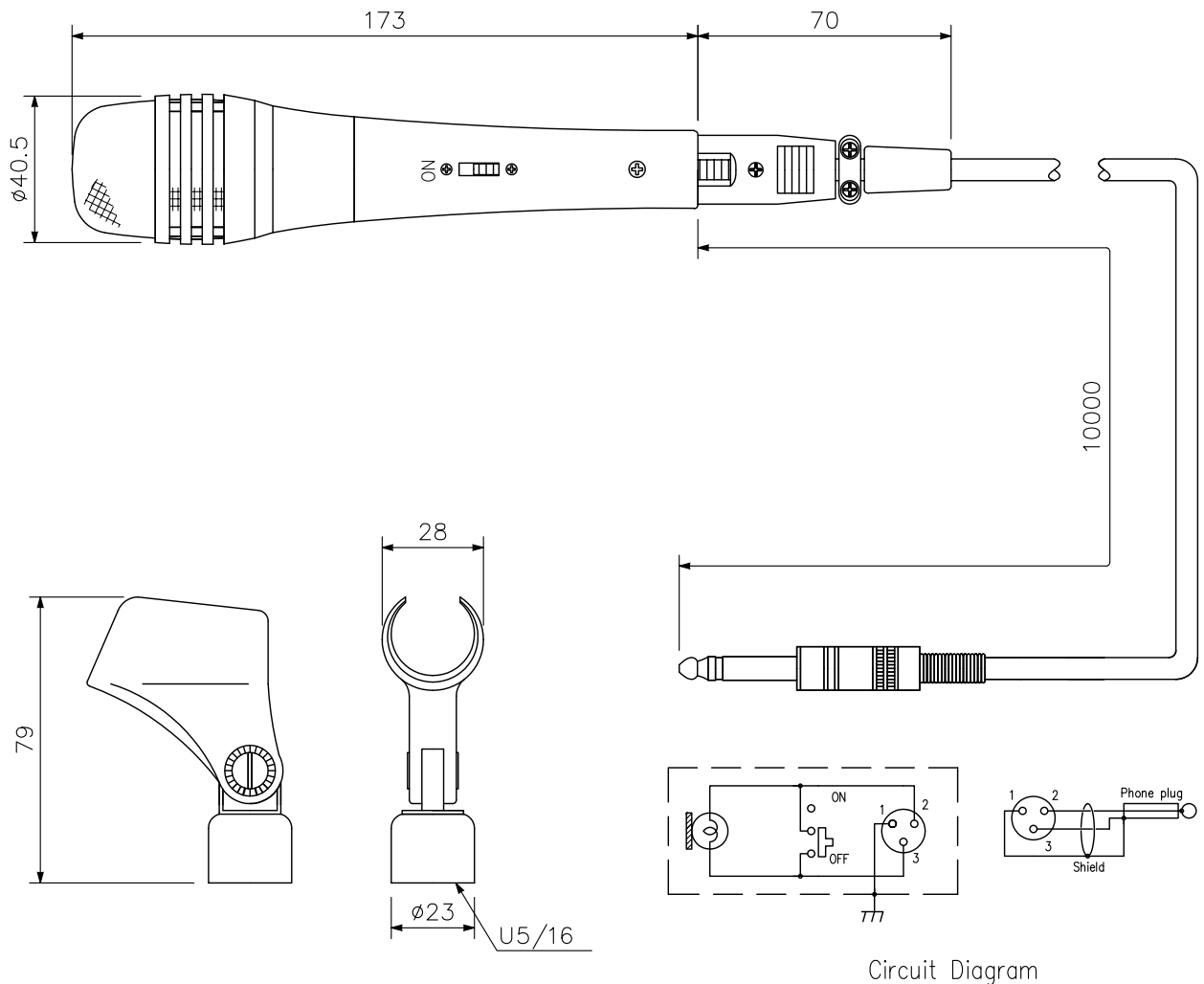
DESCRIPTION

The DM-1500 is designed for both voice and speech applications.

SPECIFICATIONS

| | |
|--------------------|---|
| Type | Moving coil microphone |
| Directivity | Unidirectional |
| Rated Impedance | 600 Ω, balanced |
| Rated Sensitivity | -56 dB (1 kHz 0 dB=1 V/Pa) |
| Frequency Response | 70 Hz - 15 kHz |
| Connection Cables | 2-core shielded cable, unbalanced |
| Cable Length | 10 m |
| Terminal of Cable | Phone plug |
| Talk Switch | Short-off, slide switch |
| Finish | Body : Die-cast zinc, metallic gold Head : Brass/zinc-plated steel wire, metallic gold |
| Dimensions | ∅40.5 X 6.81 mm |
| Weight | 280 g (without connection cable) |
| Accessory | Microphone holder (U5/16) |

APPEARANCE



UNIT:mm SCALE:1/2