

**DESCRIPTION**

The ER-1206 is a compact splash-proof megaphone rated at 6 W output and features IPX5 water-jet-resistant designs.

It operates with 6 R6P batteries, or 4 R6P batteries when the battery spacer (accessory) is used.

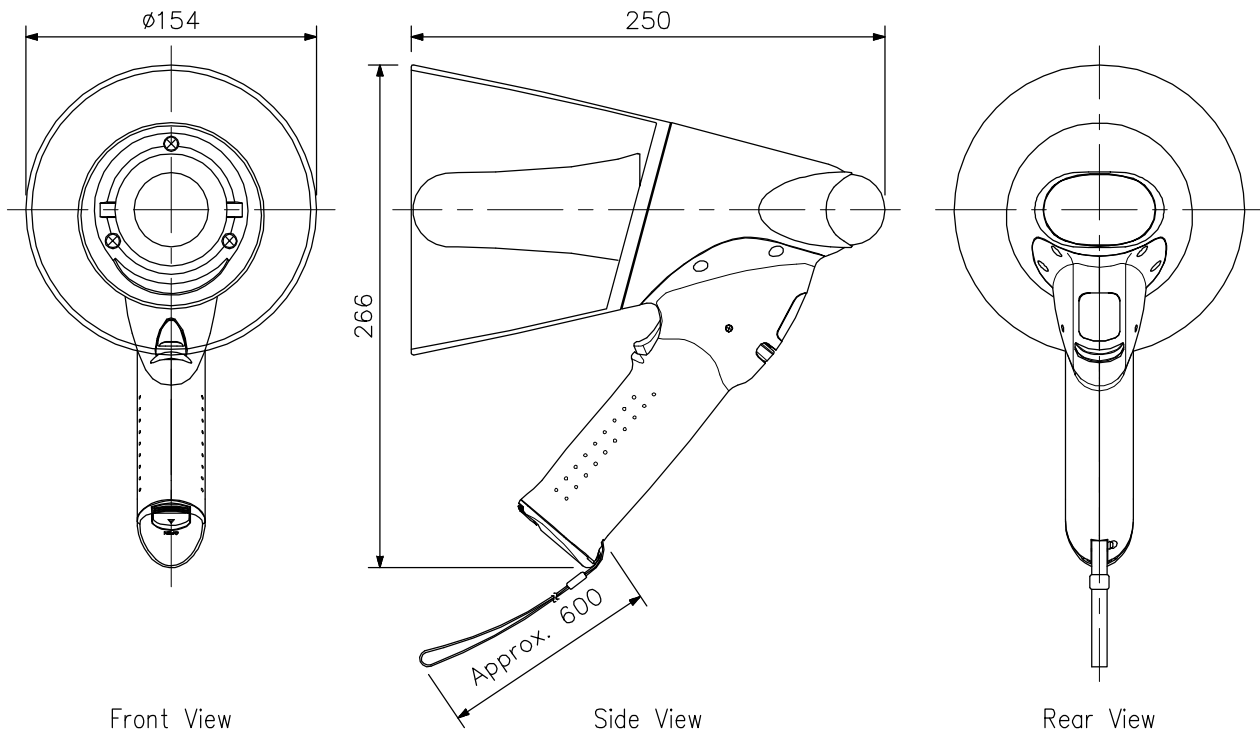
**SPECIFICATIONS**

Power Source	R6P (AA) × 6 (9 V DC) or R6P (AA) × 4 (6 V DC)
Rated Output	6 W (when using six R6P batteries)
Maximum Output	10 W (when using six R6P batteries)
Battery Life	When using six R6P batteries: Approx. 8 hours (JEITA)(*1) When using four R6P batteries(*2): Approx. 5 hours (JEITA)(*1)
Audible Range	Approx. 250 m (JEITA)(*1)
Frequency Response	450 Hz – 6 kHz (SPL -20 dB)
Magnetic Circuit	Neodymium magnet, inner magnet type
Diaphragm	Polyimide film (voice coil, bobbin)
Water Protection	IPX5
Operating Temperature	-10 °C to +40 °C
Finish	Horn: ASA resin, clear dark gray Other: ASA resin, dark gray Strap: Nylon, black
Dimensions	154 (W) × 266 (H) × 250 (D) mm
Weight	660 g (without batteries)
Accessory	Battery spacer *1
Option	Wall mounting bracket for megaphone: SP-1100

Note: Batteries are optional.

(\*1) JEITA: Japan electronics and information technology industries association. (EIAJ TT-4501A)

(\*2) With the additional use of the supplied battery spacer.

**APPEARANCE**


<Note on the audible range and battery life>

1. The indications of the audible range and battery life are based on the JEITA Standard(\*1).
2. Audible Range presumes that the megaphone employs new batteries and is used on a quiet street.  
It varies depending on such conditions as battery consumption, ambient noise, wind direction and obstacles.
3. Battery Life assumes that megaphone is used for 30 minutes a day.

UNIT:mm SCALE:1/4