

DESCRIPTION

The HY-VM7B Speaker Rigging Bracket is designed to mount the HX-7B Speaker System to the wall or ceiling by using in combination with the optional mounting bracket. With the use of the HY-VM7B only, the speaker system can be mounted to the ceiling or beams, or suspended from the ceiling by using eyebolts.

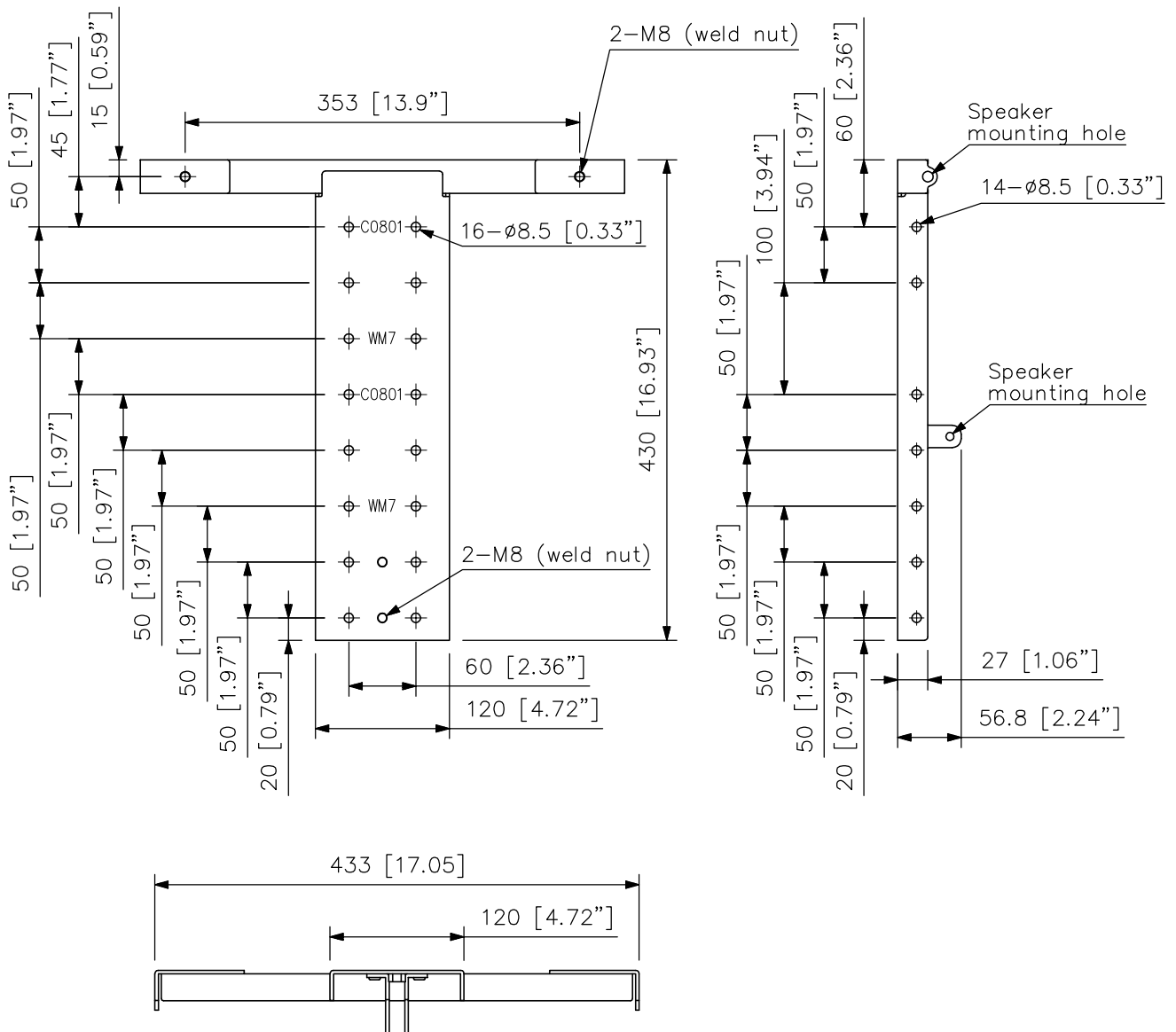
SPECIFICATIONS

Finish	Steel plate, black, semi-gloss, paint
Weight	4.8 kg (10.58 lb)
Accessory	Speaker mounting bolt \times 1 set, Bracket mounting bolt \times 1 set
Option	Speaker wall mounting bracket: HY-WM7B Ceiling mount bracket: HY-C0801
Product composition	T-bracket \times 1, Angle bracket \times 1, Mounting base \times 1

Note: Ceiling or beam mounting bolts and nuts are not supplied.

APPEARANCE

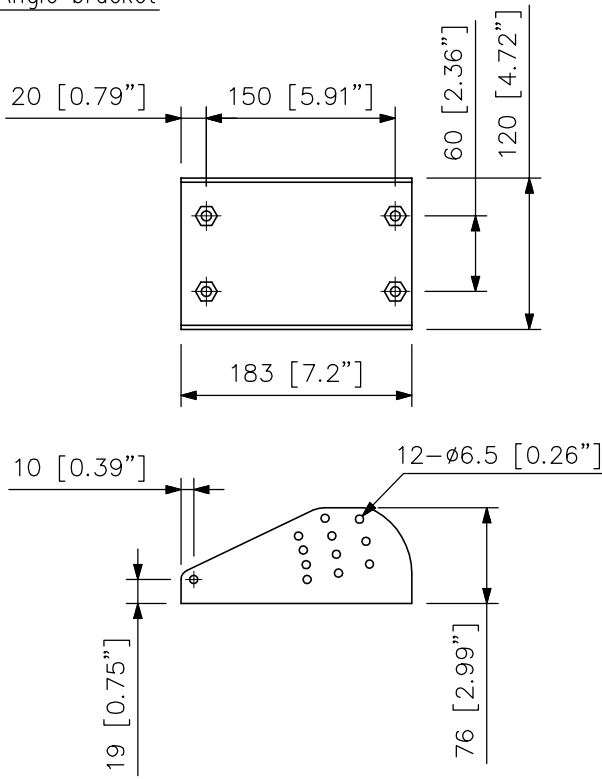
T-bracket



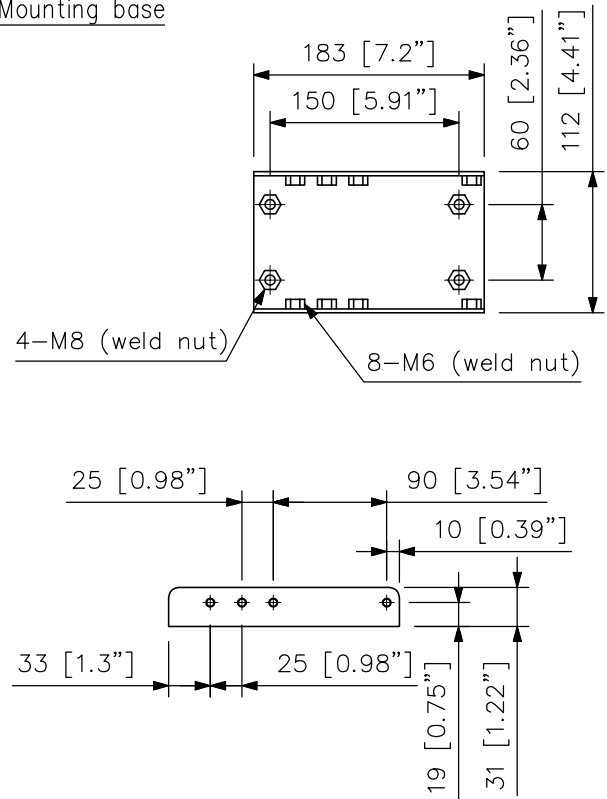
UNIT: mm SCALE: 1/6

■ APPEARANCE

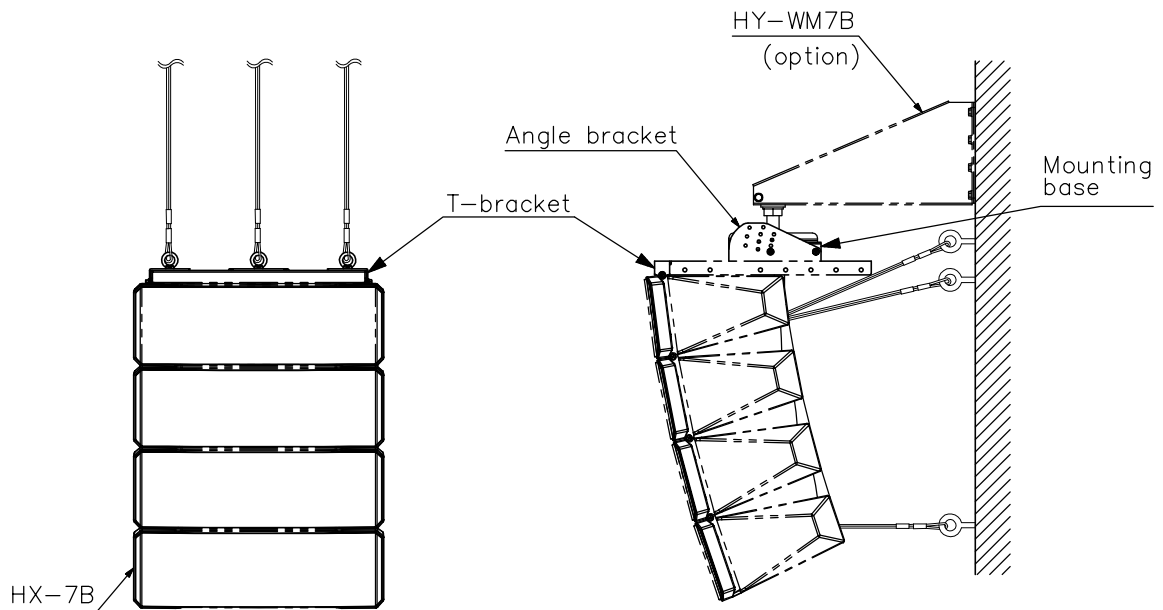
Angle bracket



Mounting base



Speaker mounting example (scale: 1/15)



Suspending from the ceiling
(only the T-bracket is used)

When installed on a wall

Note: Wires, anchor shackles, and carabiners necessary for hanging are not supplied with the product.

UNIT:mm SCALE:1/6