

TOA SPEAKER WALL MOUNTING BRACKET HY-WM7B

DESCRIPTION

The HY-WM7B Speaker Wall Mounting Bracket is intended for mounting the HX-7B Speaker System to the wall by using in combination with the optional HY-VM7B Speaker Rigging Bracket.

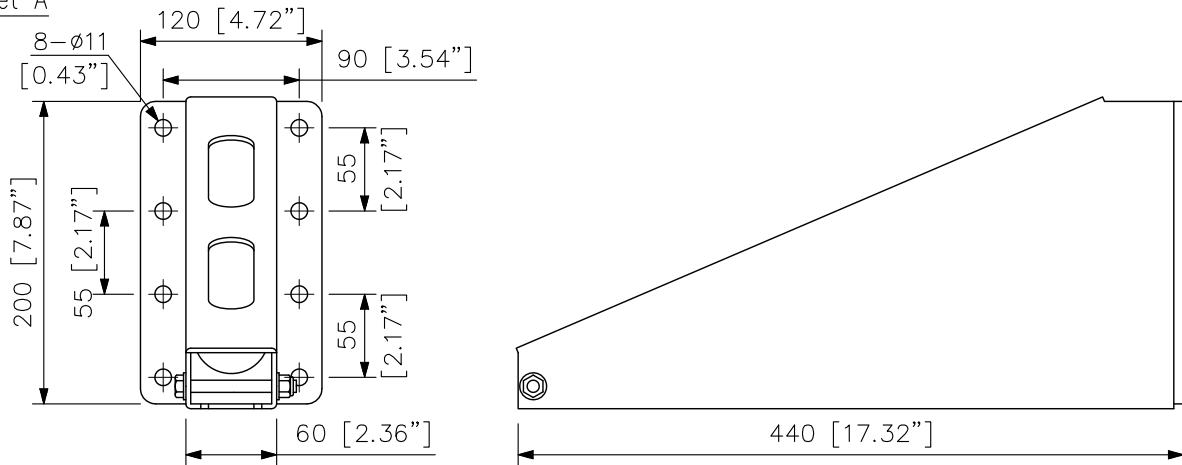
SPECIFICATIONS

Finish	Steel plate, black, semi-gloss, paint
Weight	5 kg (11.02 lb)
Accessory	Speaker mounting bolt ...4
Option	Speaker rigging bracket: HY-VM7B
Product Composition	Bracket A ...1, Bracket B ...1

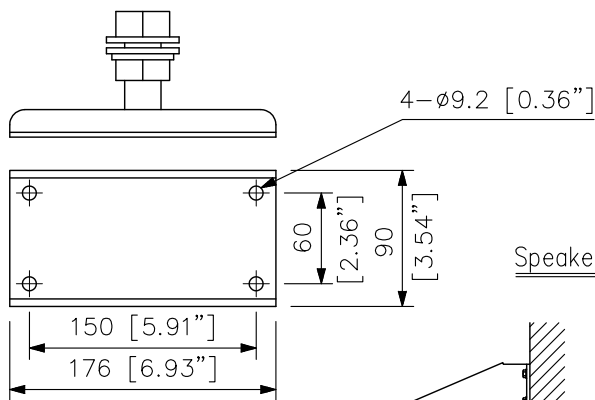
Note: Wall mounting bolts and nuts are not supplied.

APPEARANCE

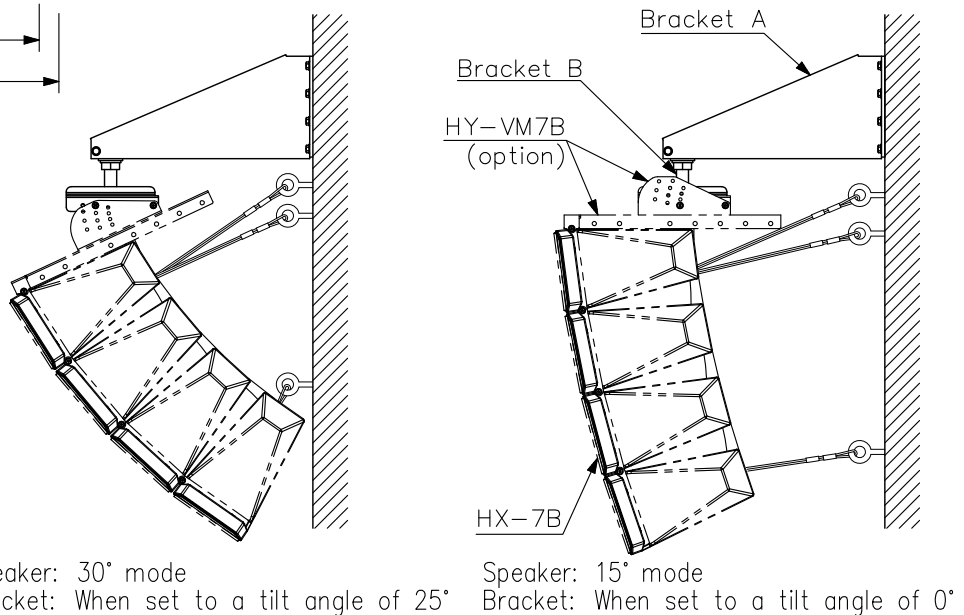
Bracket A



Bracket B



Speaker mounting example (scale: 1/15)



Note: Wires, anchor shackles, and carabiners necessary for hanging are not supplied with the product.

UNIT:mm SCALE:1/5