

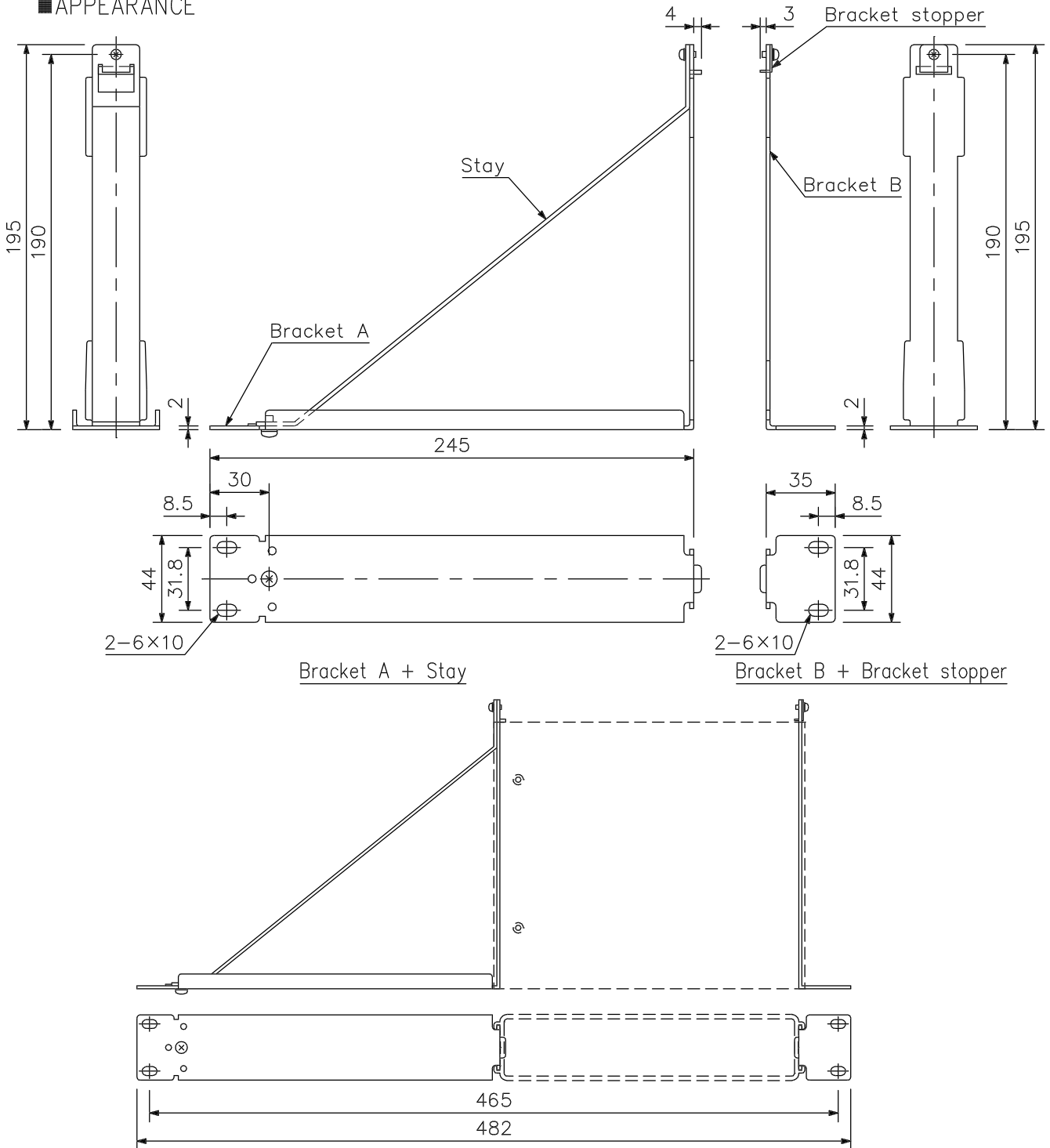
DESCRIPTION

The MB-WT3 is used to mount a one-unit size component that is 210 mm in width in an EIA Standard equipment rack.

SPECIFICATIONS

Finish	Bracket A and bracket B: Surface-treated steel plate, black, paint Stay and bracket stopper: Surface-treated steel plate, electrogalvanizing
Weight	510 g
Product Composition	Bracket A1, Bracket B1, Stay1, Bracket stopper1
Accessory	Rack mounting screw ...4, Fiber washer ...4, Stay mounting screw ...1 set, Stay mounting washer ...1 set, Bracket stopper mounting screw ...1, Bracket stopper mounting washer ...1 set

APPEARANCE



How to use joint brackets (scale: 1/4)

UNIT:mm SCALE:1/3